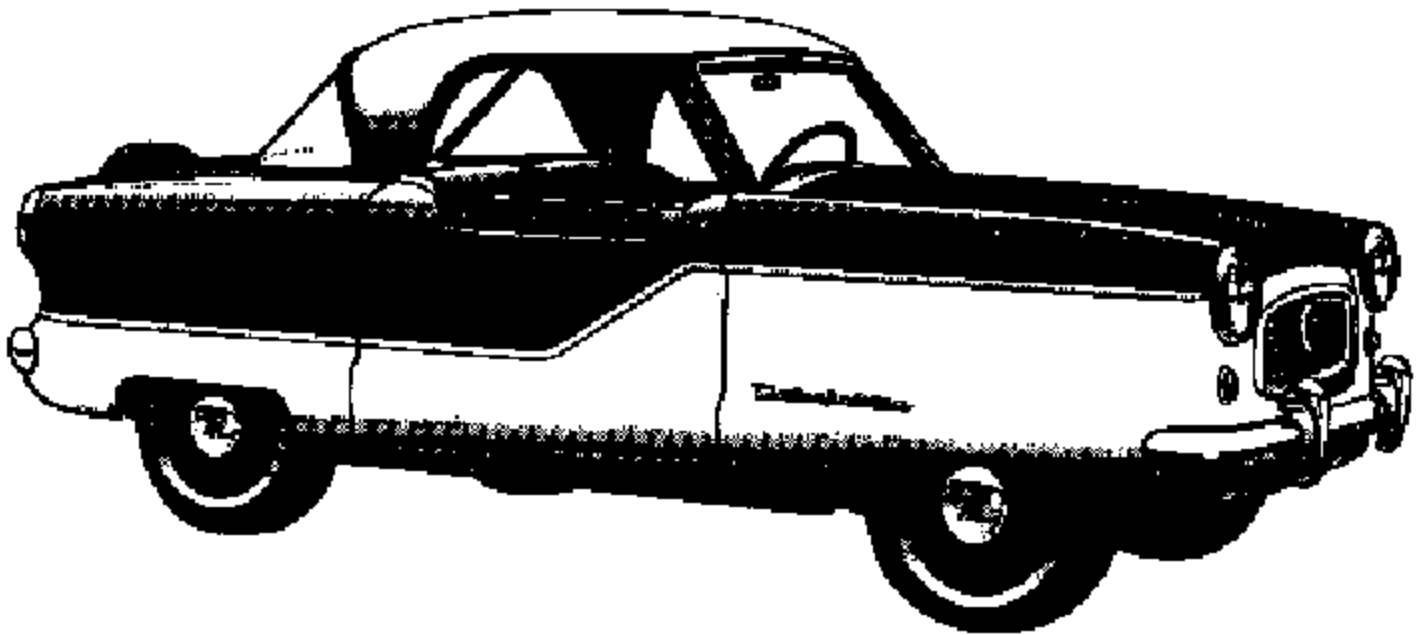


KNIT

The Metropolitan Book

Mk VII



COMPANY

One Car Does It All
Sales, Service, Restoration & PARTS

www.kinmbtor.com

Kip Motor Company is a full service antique automobile parts, restoration, repair and manufacturing facility. Our knowledge of the Metropolitan is unequaled. Many of the products found in this catalog are manufactured or rebuilt by KMC to the highest standards and new products are continually under development.

Using this Catalog

Parts listed in this catalog are currently available, normally stocked items or those planned for production. Unless otherwise indicated, all items are New or New Old Stock. (X) - indicates rebuilt items sold *exchange only*. Your rebuildable part must be received in exchange before one is shipped. A number following in the parenthesis indicates items where cores are generally available. The number represents a core charge that will be added to your invoice, *where cores are available*. The core charge is refunded upon receipt of your rebuildable core. (U) - indicates used parts. Price and availability is subject to change without notice.

Ordering by Phone

Our telephone order lines are open:

Monday through Friday	9:00a.m. - 6:00p.m. CST
Saturday	9:00a.m. - 12 noon CST

Ordering by Mail, E-mail or Fax

Please include: your name, address, telephone number, make, model and year of car, engine & chassis numbers, ship to address and credit card information. If enclosing a check or money order, be sure to enclose sufficient funds to cover shipping charges. Any overage will be refunded. Orders paid by check will be held for two weeks prior to shipping. E-mail address: sales@kipmotor.com

Payments

We accept Visa, Mastercard, American Express & Discover. Please have available your credit card number, expiration date, name and address of card holder and telephone number. COD orders are usually accepted, an additional \$9 fee will be incurred. Air, truck freight and international shipments must be pre-paid.

Warranty

All parts are warranted against defects in material and workmanship for a period of one year from date of shipment. If a part fails in service, it will be exchanged for a similar part whenever available. This warranty covers only the part and does not include labor or failure of a related component. In no case would the liability of KMC exceed the cost of the original part.

Shipping

Orders are shipped ground freight unless otherwise specified. Expedited and air delivery is available at extra cost. Oversize and heavy items are shipped via truck, freight collect. International and

overseas orders may be shipped by post, DHL or other means as required. International customers should indicate their preference at time of order. If your shipment arrives damaged, notify the carrier immediately, before contacting KMC for further instructions.

For orders within the 48 contiguous United States, shipping and handling charges will be added to invoices at the following rates:

Order Total	Shipping Charge
\$.00 - 20.00	\$9.00
20.01 - 50.00	12.00
50.01 - 75.00	15.00
75.01 - 100.00	20.00
100.01 - 150.00	25.00
150.01 - 250.00	29.00
250.01 - 350.00	33.00
350.01 - 500.00	36.00
500.01 - 1,000.00	39.00

1,000.01 + FREE GROUND SHIPPING

Shipping charges to other areas will vary accordingly.

Returns

Returns are accepted for full refund or exchange up to 90 days from date of purchase (shipment). Returns are accepted for exchange only, up to 180 days from date of purchase (shipment). Special orders and returns exceeding the listed limits may or may not be accepted, with or without a restocking fee, at the discretion of KMC. Returns must be accompanied by a copy of the original invoice. Include a note indicating the reason for return. All items must be in the same condition as shipped. *Items cut, fitted, painted, etc., will not be accepted.*

Backorders

We normally stock all items in our catalog. From time to time some items may be temporarily out of stock or no longer available. These items will be indicated as backordered on your invoice. In most cases, backordered items will ship within 1-2 weeks. Occasionally certain items take longer. Any backordered item not shipped within 60 days of the original order will be automatically dropped unless specifically requested otherwise.

Other Catalogs Available

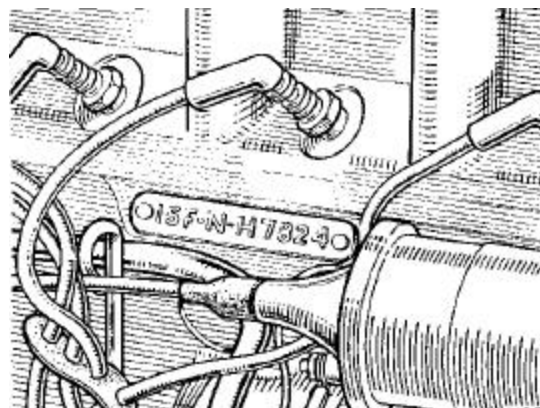
KMC has parts and catalogs for many British cars and commercial vehicles. Other catalogs available at the time of printing include:

The London Taxi Book	The Berkeley Book
The Orphan Book	The English Ford Book
The Hillman Phase Minx Book	

© Copyright 2013 - Kip Motor Company, Inc.

All rights reserved. No part of this publication may be copied, reproduced, stored in any retrieval system, communicated or transmitted in any form or means without the express written permission of Kip Motor Company, Inc.

Battery box	.21
Body	.25-27
Books	.32
Brakes	.19-20
Bumpers	.18
Clutch	.12
Controls	.11
Convertible tops & tonneaus	.29
Cooling	.9
Dashboard	.24
Driveshaft	.13
Electrical	.21-23
Engine	.3-6
Engine mounts	.7
Exhaust	.8
Front suspension	.16
Fuel system	.10
Gearbox	.14
Glass	.28
Grille	.9
Headlinings	.29
Heater	.24
ID plates & decals	.32
Interiors	.30-31
Jack	.17
Manifolds	.8
Manuals	.32
Mirrors	.32
Oil filters	.7
Paint	.32
Radio	.32
Rear axle	.17
Rear springs	.17
Shifting	.13
Shock absorbers	.16
Steering	.15
Sundries	.32
Tire covers	.32
Tools	.32
Wheels	.18
Windshield wipers	.23



The **Engine Number** is stamped on a plate secured to the right-hand side of the cylinder block.

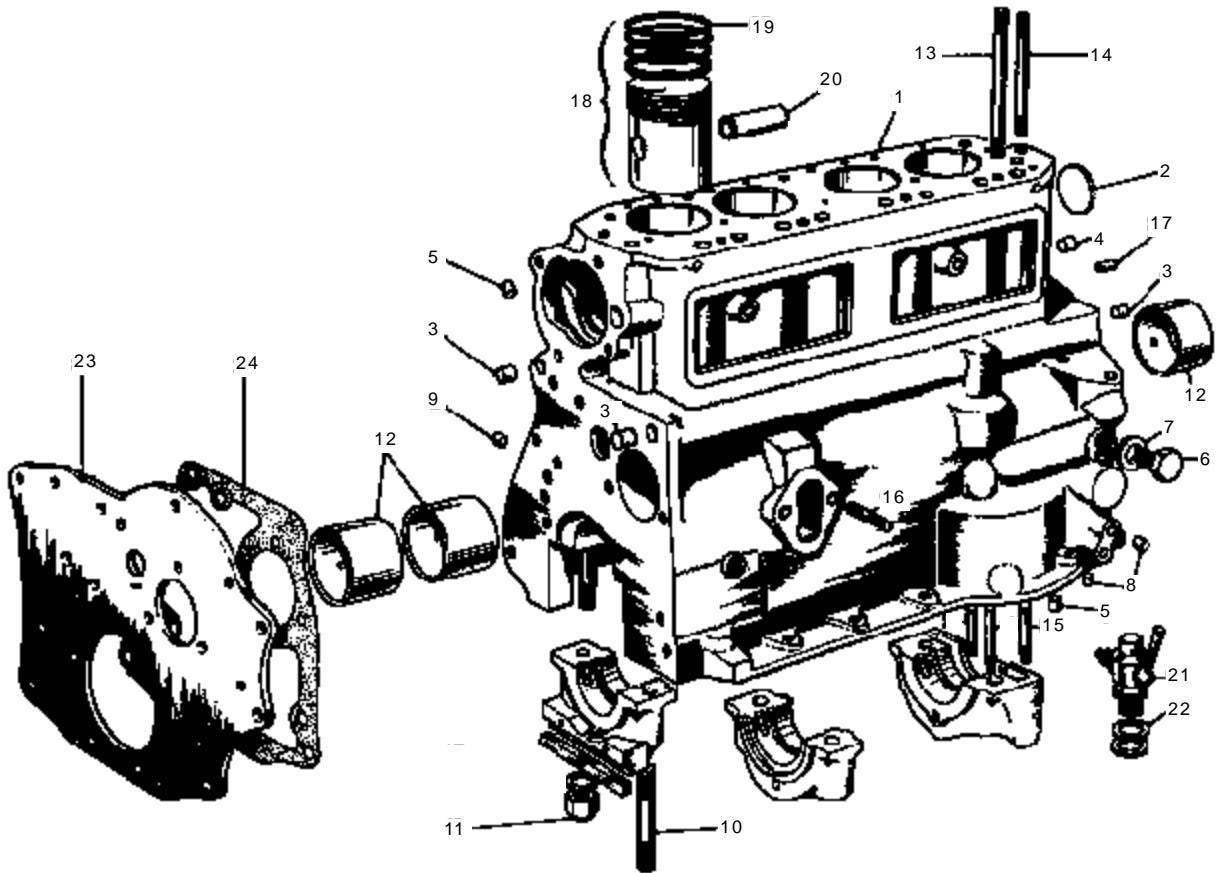


The **Chassis Number** is stamped on a plate secured to the right-hand side of the firewall.

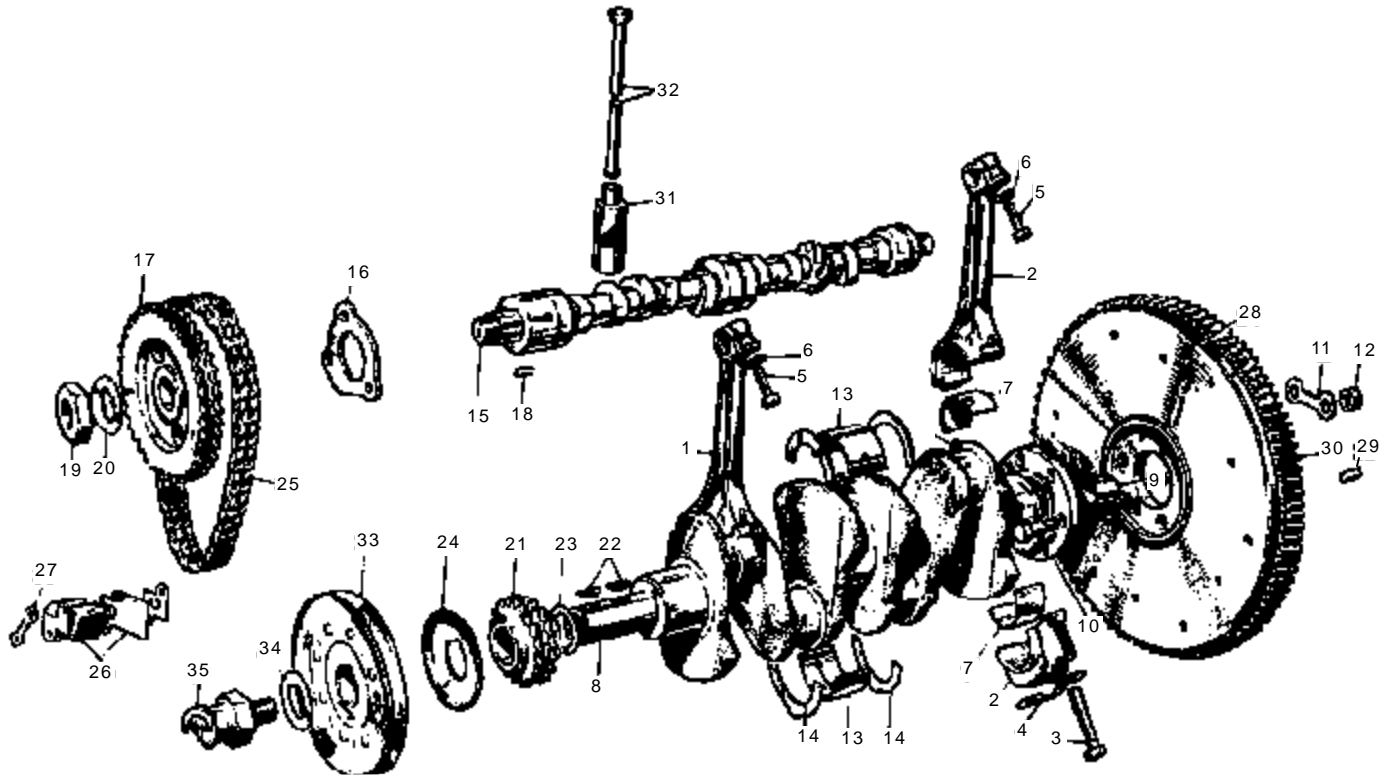
	PRODUCTION		
Series I (A)	541	convertible	3,917
1001 - E11000	542	hardtop	6,083
Series II (B)	541	convertible	10,007
E11001 - E21007	542	hardtop	8,920
Series III (early 1500)	561	convertible	5,330
E21008 - E58619	562	hardtop	32,710
Series IV (late 1500)	561	convertible	9,065
E56820 - E95592	562	hardtop	27,856
TOTAL PRODUCTION103,888		

Total imported to U.S. & Canada . . .94,968

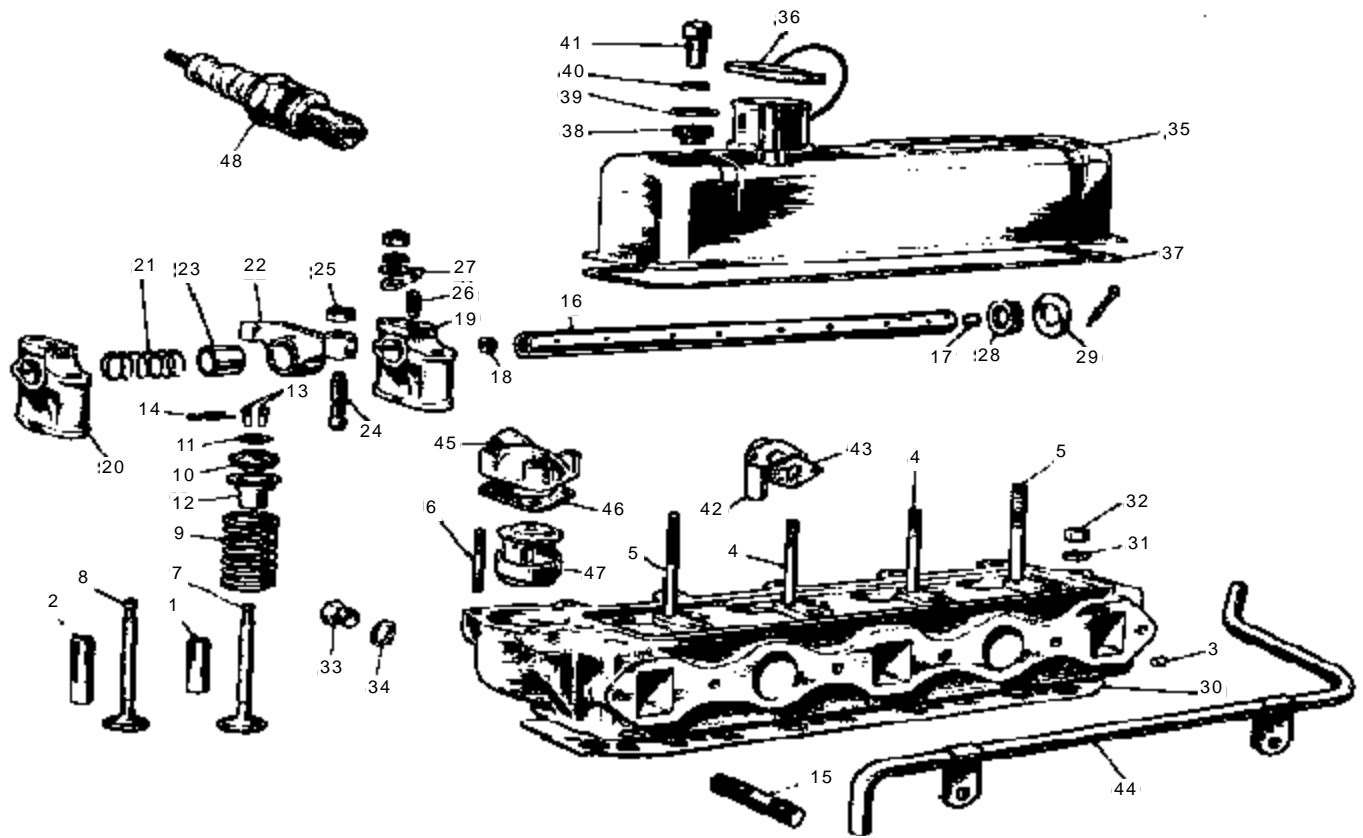
15,644 badged as Nash - 4,356 badged as Hudson



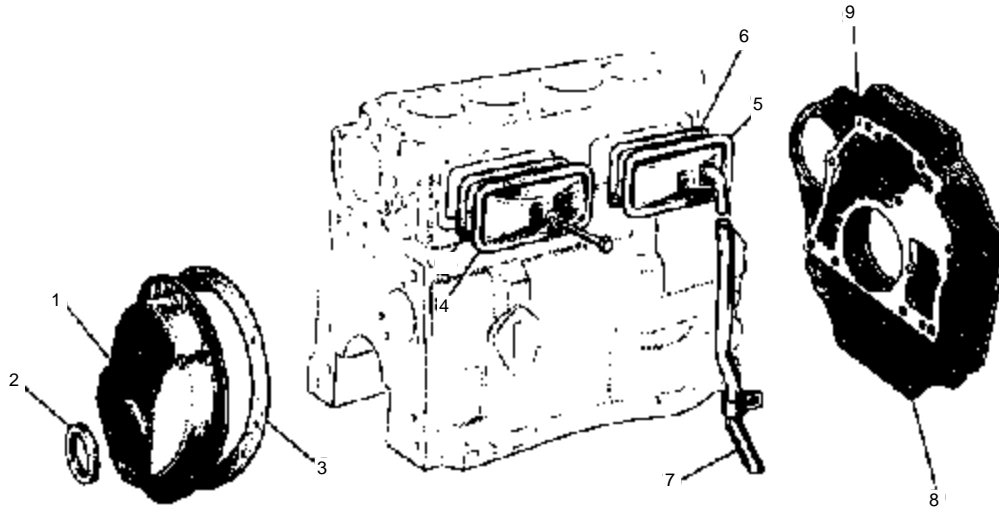
No	Part #	Description	Application	Qty Req	Price Each	No	Part #	Description	Application	Qty Req	Price Each
	G4-366	Head gasket set	-E11000	1	236.50	16	811 0010	Stud	-E11000	2	17.25
	48G119	Head gasket set	E11001-	1	42.17		53K257	Stud	E11001-	2	2.12
	EB260	Conversion set	-E11000	1	75.63	17	1G752	Dowel		2	2.00
	48G138	Conversion set	E11001-	1	38.42	18	1G1896	Piston set, std.	1G prefix	1	720.50
	811 EP1	Engine paint	aerosol	1	27.23		1G1896F	0.01			544.50
							1G1896A	0.02			720.50
	SRG-14	Engine assy (X600)	1G prefix	1	4295.00		1G1896B	0.03			720.50
	8G120	Engine assy (X300)	2G prefix	1	3895.00		1G1896D	0.04			720.50
	48G200	Engine assy (X300)	1H prefix	1	3895.00		8G643	Piston set, std.	2G prefix	1	477.95
	48G199	Engine assy (X300)	A/C/FNH	1	3895.00		8G064310	0.01			477.95
							8G064320	0.02			477.95
1	G4-285	Cylinder block (U)	1G prefix	1	235.95		8G064330	0.03			477.95
	38G249	Cylinder block (U)	2G prefix	1	235.95		8G064340	0.04			477.95
	48G205	Cylinder block (U)	1H prefix	1	235.95		48G144	Piston set, std.	1H prefix	1	514.25
	48G204	Cylinder block (U)	A/C/FNH	1	254.10		48G014410	0.01			514.25
2	2K8169	Welch plug		4	1.52		48G014420	0.02			514.25
3	2K8623	Plug		A/R	4.06		48G014430	0.03			514.25
4	1H813	Plug	1500	1	7.87		48G014440	0.04			514.25
5	6K874	Plug, taper	E11001-	2	6.36		48G153	Piston set, std	A/C/FNH	1	514.25
6	2K4992	Plug, screw	1500	1	11.80		48G015320	0.02			514.25
7	6K638	Washer	1500	1	0.91		48G015330	0.03			514.25
8	6K899	Plug	E11001-	2	2.12		48G015340	0.04			514.25
9	11G14	Plug		1	4.06		48G015360	0.06			586.85
10	811 0007	Stud	-E11000	6	25.41	19	811 0102	Ring set, std.	1200	1	86.52
	51K894	Stud	E11001-	6	13.86		811 2153	Ring set, std.	1500	1	64.74
11	811 0015	Nut	-E11000	6	9.99	20	811 2086	Pin set - std.	1500	1	4.84
	LNN208	Nut	E11001-	6	2.49		811 2088	0.001			4.84
12	811 0012	Cam bearing set	-E11000	1	78.65		811 2090	0.003			4.84
	8G2176	Cam bearing set	E11001-	1	44.72	21	3H576	Drain tap		1	37.21
13	2K8621	Stud, long	-E11000	4	23.90	22	2K4954	Washer		1	1.03
	51K252	Stud, long	E11001-	4	8.42	23	1A2089	Mounting plate (U)	-E11000	1	29.04
14	2K8622	Stud, short	-E11000	7	23.30		11G96	Mounting plate (U)	E11001-	1	21.78
	51K253	Stud, short	E11001-	7	5.87	24	11G97	Gasket	E11001-	1	3.95
15	811 0011	Stud	-E11000	3	22.69	Note: Piston sets include rings and pins					
	51K267	Stud	E11001-	2	6.00						



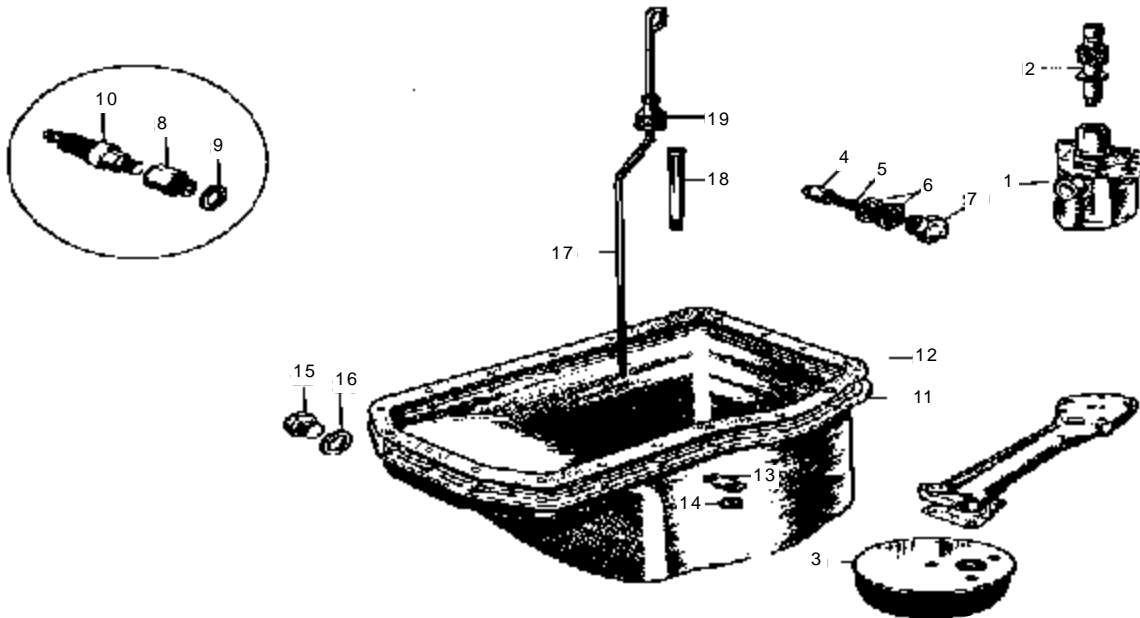
No	Part #	Description	Application	Qty Req	Price Each	No	Part #	Description	Application	Qty Req	Price Each
1	1G1456	Connecting rod, 1 & 3 (U)	1G prefix	2	37.51	14	1F775	Thrust brng set	-E11000	1	93.50
	11G126	Connecting rod, 1 & 3 (U)	2G prefix	2	37.51		1G2331	Thrust brng set	E11001-	1	15.68
	1H703	Connecting rod, 1 & 3 (U)	1500	2	37.51	15	1A2031	Camshaft (X95)	-E11000	1	102.85
2	1G1454	Connecting rod, 2 & 4 (U)	1G prefix	2	37.51		11G149	Camshaft (X50)	E11001-	1	102.85
	11G124	Connecting rod, 2 & 4 (U)	2G prefix	2	37.51	16	11G136	Locating plate	E11001-	1	66.86
	1H701	Connecting rod, 2 & 4 (U)	1500	2	37.51	17	11G203	Camshaft gear	E11001-	1	43.26
3	811 0089	Bolt	-E11000	8	25.41	18	WKN505	Key	E11001-	1	1.03
	51K1388	Bolt	E11001-	8	23.54	19	6K629	Nut	E11001-	1	9.44
4	6K881	Lockplate	E11001-	4	3.21	20	2A759	Locktab	E11001-	1	2.00
5	2K8776	Bolt	-E11000	4	10.59	21	1A2028	Crankshaft gear		1	42.78
	51K1382	Bolt	E11001-	4	4.42	22	2H326	Key		2	2.66
6	2K5319	Lockwasher		4	0.91	23	2K6633	Packing washer		AVR	3.21
7	P213	Rod brng set, std.	-E11000	1	258.50	24	1A1546	Oil thrower		1	4.30
	P213A	0.01			258.50	25	2H4905	Timing chain		1	18.76
	P213B	0.02			258.50	26	17H343	Tensioner	E11001-	1	18.46
	P213C	0.03			258.50	27	AEC340	Locktab	E11001-	1	1.40
	P213D	0.04			258.50	28	1G1234	Flywheel (X85)	1G prefix	1	356.95
	8G2207	Rod brng set, std.	E11001-	1	62.32		11G30	Flywheel (X75)	2G prefix	1	260.15
	8G220710	0.01			62.32		1G681	Flywheel (X65)	1500	1	260.15
	8G220720	0.02			62.32	29	1G2984	Dowel	E11001-	2	5.75
	8G220730	0.03			62.32	30	1G1390	Ring gear	-E11000	1	235.95
	8G220740	0.04			62.32		1G2874	Ring gear	E11001-	1	103.16
8	1G1232	Crankshaft (X195)	1G prefix	1	187.55	31	1G1366	Tappet	-1H142718	8	23.90
	11G73	Crankshaft (X195)	- 2G14674	1	187.55		11G240	Tappet	1H142719-	8	15.68
	1H753	Crankshaft (X195)	2G14675-	1	187.55	32	ALT-46	Pushrod (U)	1G prefix	8	19.36
9	1G765	Pilot bush		1	4.54		1G2380	Pushrod (U)	2G-1H142718	8	15.73
10	811 0121	Bolt (U)	-E11000	6	16.94		11G241	Pushrod	1H142719-	8	8.42
	51K1022	Bolt	E11001-	6	10.59	33	1G1318	Pulley (U)	-2G14667	1	90.75
11	6K26	Locktab		3	4.42		11G81	Pulley	2G14668-	1	157.61
12	811 0123	Nut	-E11000	6	5.75	34	1G1319	Locktab		1	1.88
	FNZ506	Nut	E11001-	6	0.91	35	1A2029	Starting jaw (U)	-E11000	1	42.35
13	P220	Main brng set, std.	-E11000	1	247.50		1G2316	Starting jaw	E11001-	1	40.96
	P220E	0.002			119.79						
	P220A	0.01			247.50						
	P220B	0.02			247.50						
	P220C	0.03			247.50						
	P220D	0.04			247.50						
	8G2175	Main brng set, std.	E11001-	1	66.86						
	8G217510	0.01			66.86						
	8G217520	0.02			66.86						
	8G217530	0.03			66.86						
	8G217540	0.04			66.86						
							PG1	Plastigauge, sleeve		1	3.58
								(critical for measuring main & rod bearing clearances during engine assembly)			
							L0034-094	#105 Motor Assembly Lube, 10 oz		1	11.80
								(Oil soluble white grease for general engine assembly)			



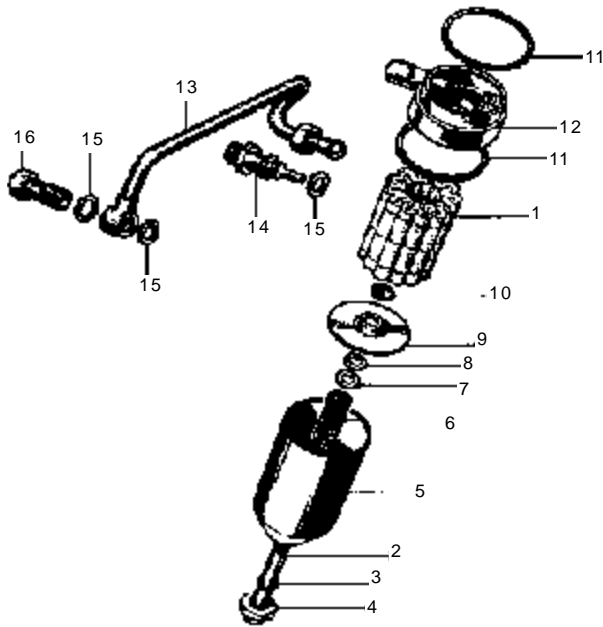
No	Part #	Description	Application	Qty Req	Price Each	No	Part #	Description	Application	Qty Req	Price Each
	G4-59	Cylinder head assy (X650)	1G prefix	1	825.00	22	1G1441	Rocker (U)	-E11000	8	38.72
	G4-436	Cylinder head assy (X395)	2G prefix	1	725.00		11G45	Rocker	E11001-	8	41.57
	48G201	Cylinder head assy (X325)	1500	1	725.00	23	1G2295	Bush	E11001-	8	5.32
1	1A2116	Guide, intake	-E11000	4	3.94	24	ALT-56	Adjusting screw (U)	-E11000	8	6.05
	11G313	Guide, intake	E11001-	4	5.27		48G207	Adjusting screw	E11001-	8	4.18
2	1G1332	Guide, exhaust	-E11000	4	4.54	25	2K8492	Nut	-E11000	8	5.15
	11G193	Guide, exhaust	E11001-	4	5.45		51K1178	Nut	E11001-	9	1.52
3	6K872	Plug	E11001-	1	1.16	26	2A258	Locating screw	E11001-	1	3.94
4	2K8565	Stud, short	-E11000	2	17.85	27	2A259	Locating plate	E11001-	1	5.15
	51K881	Stud, short	E11001-	2	1.88	28	1A2139	Spring washer		2	NCA
5	6K488	Stud, long	-E11000	2	19.06	29	2K6804	Washer		2	1.16
	51K893	Stud, long	E11001-	2	2.24	30	1A2142	Head gasket	-E11000	1	107.69
6	811 0251	Stud	-E11000	3	15.43		12H60	Head gasket	E11001-	1	40.24
	53K531	Stud	E11001-	3	1.88	31	PWN106	Washer		11	1.16
7	1G1693	Intake valve	-E11000	4	45.10	32	2K3799	Nut	-E11000	11	4.54
	11G310	Intake valve	E11001-	4	18.46		51K371	Nut	E11001-	11	2.12
8	1A2119	Exhaust valve	-E11000	4	54.73	33	811 0256	Plug (U)	-E11000	1	13.31
	1H1330	Exhaust valve	E11001-	4	27.53		1G2953	Plug (U)	E11001-	1	7.26
9	6K504	Spring set	-E11000	1	65.34	34	1B3664	Washer	E11001-	1	1.16
	1G2887	Spring set	E11001-	1	57.78	35	2A2252	Valve cover (U)	-E11000	1	55.66
10	1G2379	Shroud		8	5.87		1H1339	Valve cover (U)	E11001-	1	43.56
11	AEK113	Ring	1H217136-	8	NCA	36	8G615	Cap & cable		1	25.41
12	811 0143	Cup (U)	-E11000	8	7.87	37	1A2155	Valve cover gasket	-E11000	1	15.43
	1A2122	Cup	E11001-	8	13.62		12H37	Valve cover gasket	E11001-	1	6.36
13	811 0146	Cotter (U)	-E11000	16	9.68	38	2K8568	Bushing		2	1.16
	1K800	Cotter	E11001-	16	17.85	39	1A2156	Washer		2	1.64
14	1K372	Circlip		8	2.73	40	1B2925	Distance piece		2	2.73
15	2K3451	Stud	-E11000	2	14.22	41	1A2157	Nut	-E11000	2	14.83
	FHS2512	Stud	E11001-	2	1.69		2A150	Nut	E11001-	2	4.79
16	1G2075	Rocker shaft	-E11000	1	223.85	42	1G2243	Elbow (U)		1	10.29
	11G62	Rocker shaft	E11001-	1	42.78	43	1G2342	Gasket		1	1.94
17	6K878	Plug		1	20.88	44	811 1234	Return pipe (U)	-E11000	1	55.66
18	2K4608	Screw plug		1	NCA		1G2918	Return pipe (U)	E11001-	1	38.72
19	ALT-41	Bracket, tapped (U)	-E11000	1	33.88	45	1G2351	Thermostat housing		1	48.10
	1H1419	Bracket, tapped	E11001-	1	46.89	46	1A2149	Gasket		1	1.52
20	ALT-42	Bracket, plain (U)	-E11000	3	33.88	47	811 2398	Thermostat, 160'		1	9.99
	1H1420	Bracket, plain	E11001-	3	33.10		11G291	180'		1	9.99
21	2K8567	Spring (U)	-E11000	3	8.47	48	3H2006	Spark plug		4	4.42
	6K871	Spring	E11001-	3	1.88						



No	Part #	Description	Application	Qty Req	Price Each	No	Part #	Description	Application	Qty Req	Price Each
1	1G1586	Front cover (U)	-E11000	1	26.62	6	12A24	Gasket		2	1.88
	11G93	Front cover (U)	E11001-	1	14.52	7	1G1413	Vent tube (U)	-E11000	1	21.78
2	2K7140	Ring, felt		1	3.94		11G78	Vent tube (U)	E11001-	1	15.13
3	1A2093	Gasket	-E11000	1	4.79	8	811 0024	Mounting plate (U)	1G prefix	1	58.08
	11G95	Gasket	E11001-	1	5.27		811 1560	Mounting plate (U)	2G/A/CNH	1	26.62
4	12H152	Side cover, front (U)		1	10.89		12H61	Mounting plate (U)	FNH	1	26.62
5	12H155	Side cover, rear (U)		1	12.10	9	1G2425	Gasket	E11001-	1	3.58



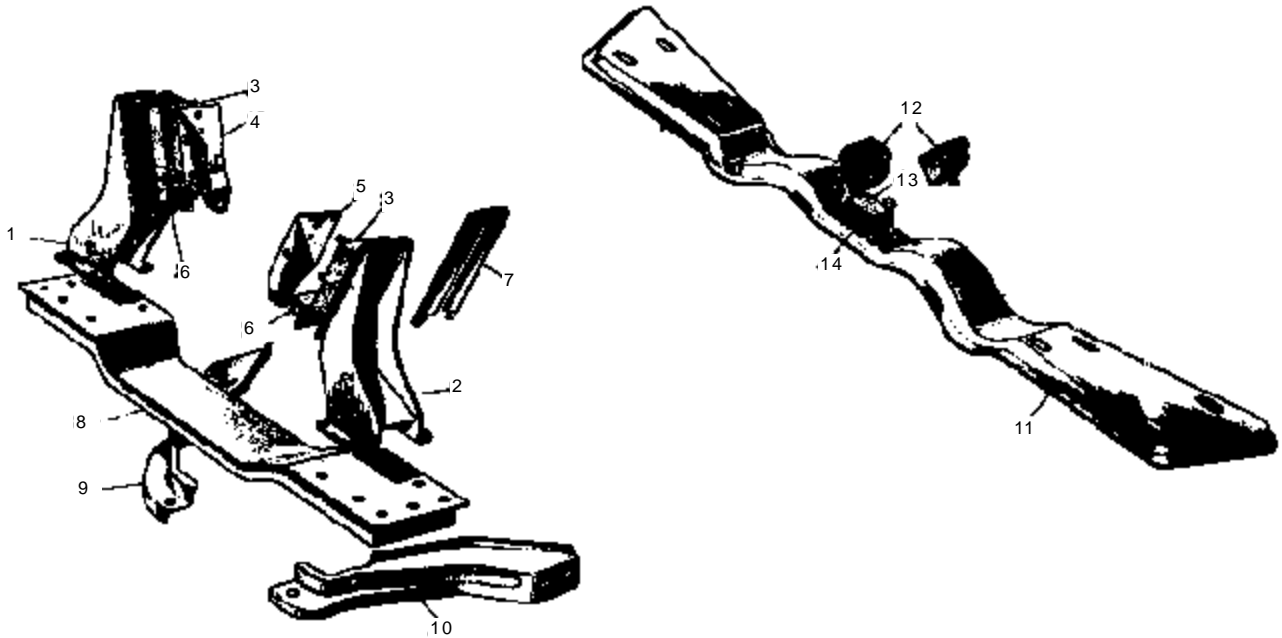
No	Part #	Description	Application	Qty Req	Price Each	No	Part #	Description	Application	Qty Req	Price Each
1	1A2169	Oil pump (X95)	-E11000	1	175.00	9	6K638	Washer		1	0.91
	1A2054	Driving gear, oil pump	-E11000	1	45.00	10	3H2388	Pressure switch		1	22.69
	1A2055	Driven gear, oil pump	-E11000	1	45.00	11	1A2194	Sump (U)	-E11000	1	102.85
	1H1191	Oil pump	E11001-	1	157.61		1G2508	Sump (U)	E11001-	1	54.45
2	811 0073	Drive spindle (U)	-E11000	1	50.82	12	1A2197	Gasket	-E11000	1	17.25
	11G12	Drive spindle	E11001-	1	193.55		1G2290	Gasket	E11001-	1	5.15
3	G4-159	Strainer (U)	1G prefix	1	37.51	13	1A2104	Drain clip		1	9.68
	811 1593	Strainer (U)	2G-CNH149802	1	31.46	14	2H4935	Grommet		1	NCA
	1H1192	Strainer	CNH149803-	1	64.08	15	2H4685	Plug (U)	-E11000	1	25.41
4	1G1452	Release valve	E11001-	1	13.74		2G4249	Plug	E11001-	1	5.87
5	6K853	Spring	E11001-	1	2.37	16	6K638	Washer	E11001-	1	0.91
6	2K4982	Washer		2	0.67	17	1G2098	Dipstick (U)	-E11000	1	31.46
7	1A2206	Nut		1	3.63		12H74	Dipstick (U)	E11001-	1	22.69
8	11G13	Adaptor (U)	E11001-	1	22.69	18	1B1063	Tube	E11001-	1	14.83
						19	1B1735	Dust cap	E11001-	1	3.94



No	Part #	Description	Application	Qty	Price
1	8G683	Oil filter		1	11.20
2	17H1558	Center bolt	1500	1	21.18
3	17H1556	Seal washer	1500	1	2.00
4	17H1559	Collar (U)	1500	1	7.57
5	1H1053	Body (U)	1500	1	38.72
6	17H1449	Spring	1500	1	15.43
7	17H1448	Washer	1500	1	1.16
8	17H1447	Felt washer	1500	1	1.76
9	17H1446	Pressure plate	1500	1	21.60
10	17H1557	Circlip	1500	1	2.54
11	8G619	Gasket	1500	2	2.73
12	1H1052	Adaptor (U)	1500	1	45.98
13	1H1056	Pipe	1500	1	82.71
14	1H922	Adaptor	1500	1	61.71
15	6K501	Washer	1500	2	1.03
16	1K2142	Screw, banjo	1500	1	47.74

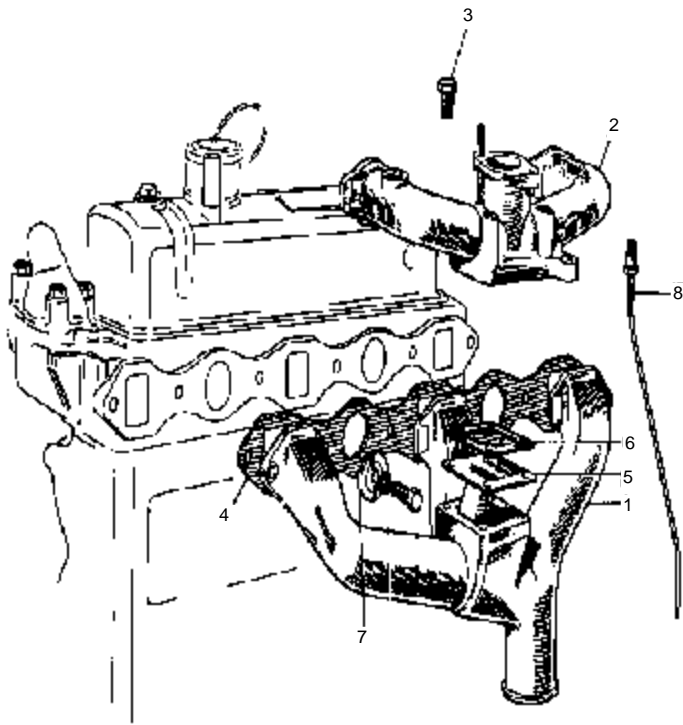
For engines not equipped with an oil filter assembly, use only non-detergent oil.

Engine Mounts



No	Part #	Description	Application	Qty Req	Price Each	No	Part #	Description	Application	Qty Req	Price Each
1	811 0189	Bracket, right (U)	-E11000	1	16.94	8	ALH824	Front crossmember (U)		1	29.04
	1G2441	Bracket, right (U)	E11001-	1	14.52	9	ALH830	Brace, right (U)		1	11.50
2	811 0190	Bracket, left (U)	-E11000	1	16.94	10	ALH831	Brace, left (U)		1	11.50
	1G2442	Bracket, left (U)	E11001-	1	14.52	11	811 0193	Rear crossmember (U)	-E11000	1	195.00
3	811 0187	Engine mount	-E11000	2	85.00		ALH2452	Rear crossmember	E11001-	1	675.00
	1G2541	Engine mount	E11001-	2	65.00	12	1G9380	Rear mount		2	23.38
4	811 0176	Mount plate, right (U)	-E11000	1	10.89	13	1A9209	Rebound		1	13.26
	1G2663	Mount plate, right (U)	E11001-	1	13.31	14	1A9211	Shim		A/R	13.31
5	811 0177	Mount plate, left (U)	-E11000	1	10.89						
	1G2664	Mount plate, left (U)	E11001-	1	13.31						
6	811 0182	Buffer	-E11000	2	24.00						
	1G2543	Buffer	E11001-	2	21.00						
7	811 0183	Shim	-E11000	A/R	21.78						
	11H118	Shim	E11001-	A/R	19.36						

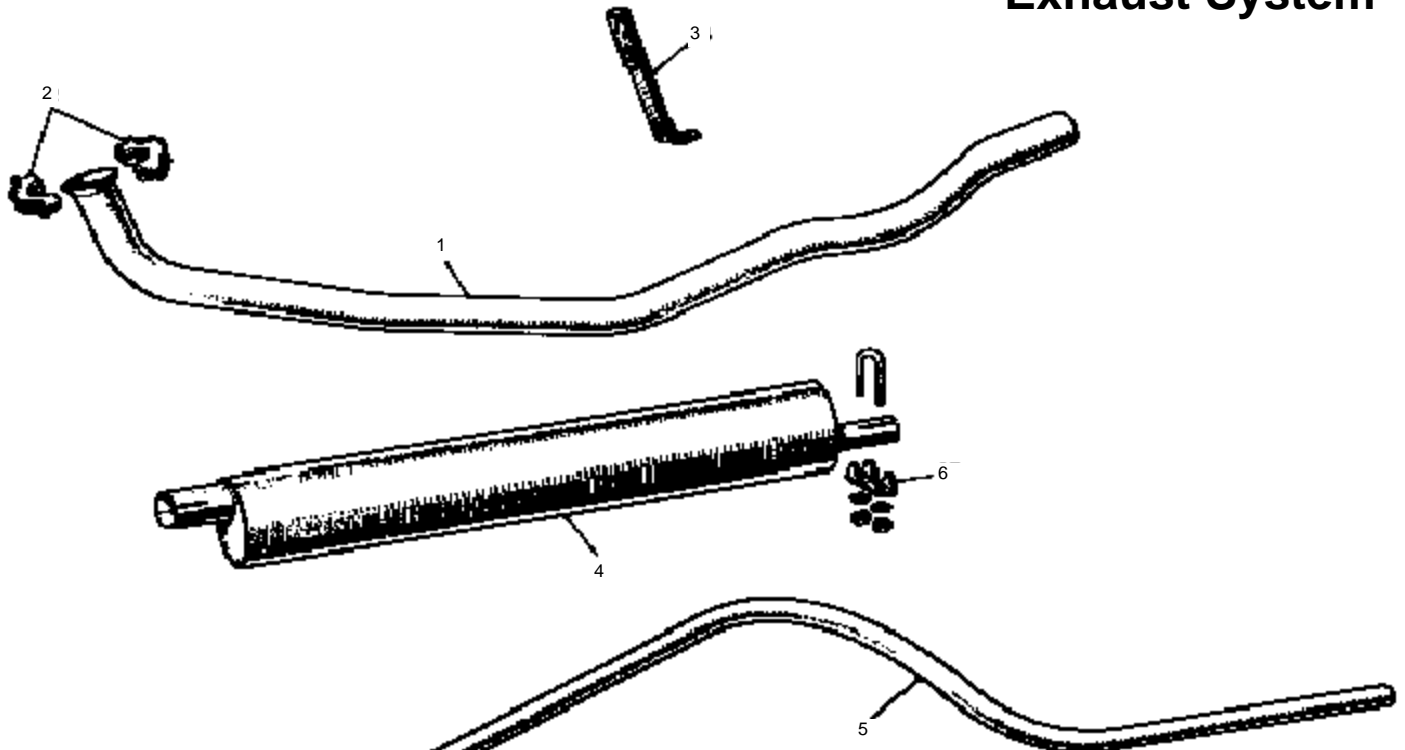
Don't just replace engine mounts. Buffers are also critical in maintaining correct engine alignment.



No	Part #	Description	Application	Qty Req	Price Each
1	G4-66	Exhaust manifold (U)	-E11000	1	114.95
	1G2373	Exhaust manifold (U)	E11001-	1	187.55
2	1G2008	Intake manifold (U)	-E11000	1	78.65
	1H910	Intake manifold (U)	E11001-	1	66.55
3	811 1775	Plug (U)	11/16"	1	8.47
	1G1344	Plug (U)	1"	1	8.47
4	1A2100	Gasket	-E11000	1	15.43
	1G2417	Gasket	E11001-	1	6.36
5	1A2096	Hot spot (U)		1	15.13
6	1A2099	Gasket		1	11.92
7	1G2418	Clamp	E11001-	4	3.94
8	1G2573	Gas drain tube		1	34.79
	1G2231	Gasket, manifold/ex pipe	-E11000	1	8.17

Do you drive around with your choke partially pulled out? A missing or damaged gas drain tube will cause your engine to run too lean. Don't just plug the hole with a bolt, it causes the engine to flood out when you shut down.

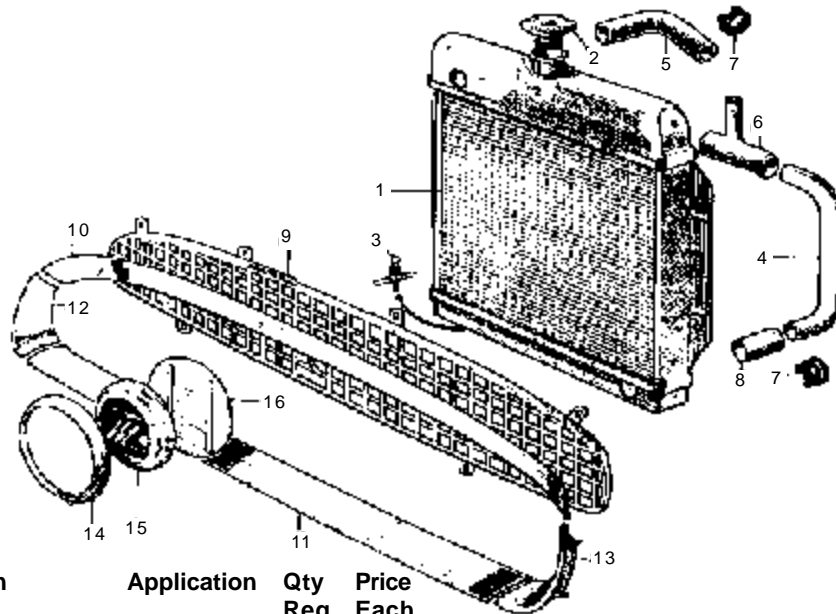
Exhaust System



No	Part #	Description	Application	Qty Req	Price Each
1	811 0201	Exhaust pipe	-E11000	1	139.15
	1G2660	Exhaust pipe	E11001-	1	104.06
2	1G2475	Manifold/pipe clamp assy	E11001-	1	29.75
3	1G2658	Hanger		2	10.71
4	ARH76	Silencer (muffler)		1	179.95
5	1G2220	Tail pipe		1	104.06
6	1G2217	Exhaust clamp assy		4	10.71

Replace all exhaust pipes and the muffler at the same time.

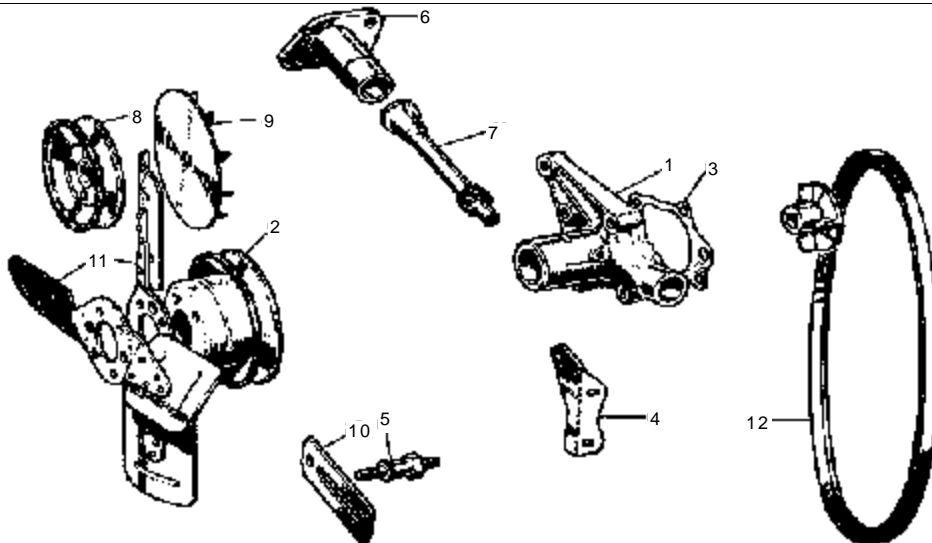
Radiator



No	Part #	Description	Application	Qty Req	Price Each
1	811 0241	Radiator (X45)	540	1	565.00
	1H2002	Radiator (X45)	560	1	565.00
2	3H2665	Cap		1	9.99
3	3H2724	Drain tap		1	13.26
4	811 0242	'S' tube	-E11000	1	58.39
	1G2661	'S' tube	E11001-	1	53.55
5	1E78	Top hose		1	14.83
6	1G2261	'T' hose		1	27.53
7	3H2690	Clamp		6	4.06
8	1G2262	Lower hose		1	4.06
	811 1390	Grille bar	540	1	525.00
9	14A9461	Grille mesh	560	1	675.00
10	14A9452	Grille surround, top	560	1	195.00
11	14A9454	bottom	560	1	195.00
12	14A9448	right	560	1	135.00
13	14A9449	left	560	1	125.00

No	Part #	Description	Application	Qty Req	Price Each
14	14A9457	Bezel	560	1	98.00
15	312 5307	Medallion	"Nash"	1	95.00
	811 1908	Medallion	"Hudson"	1	95.00
	14A9478	Medallion	"M"	1	95.00
16	436 7886	Plate	540	1	39.00
	14A9458	Plate	560	1	45.00

Grille surrounds manufactured by KMC are stamped from brass and chrome plated to look just like the originals, except they'll never rust. Don't confuse KMC grille surrounds with low quality cast pot metal imitations.

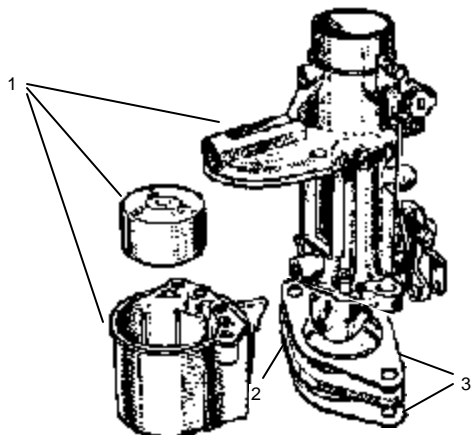


Water Pump

No	Part #	Description	Application	Qty Req	Price Each
1	G4-132	Water pump (X75)	-E11000	1	195.00
	11G164	Water pump (X35)	E11001- key hub	1	145.00
	1H1149	Water pump	E11001- press hub	1	78.65
2	811 0232	Pulley	1G prefix	1	45.98
	811 1723	Pulley (U)	-2G19182	1	33.88
	11G200	Pulley (U)	2G19183-	1	78.65
3	811 0235	Gasket	-E11000	1	8.78
	1G2302	Gasket	E11001-	1	3.58
4	2A758	Bracket, generator (U)		1	13.01
5	811 0070	Pillar (U)	-E11000	1	19.36
	2A128	Pillar	E11001-	1	16.94
6	811 0293	Distributor housing (U)	-E11000	1	29.04

No	Part #	Description	Application	Qty Req	Price Each
	1G2285	Distributor housing (U)	E11001-	1	26.62
7	2A139	Drive spindle		1	117.32
8	811 0279	Pulley, generator (U)	-E11000	1	19.36
	811 1705	Pulley, generator (U)	E11001- w/22258	14.22	
	12A34	Pulley, generator	560 w/22700	102.55	
9	811 0278	Fan, generator	w/22258 gen	1	12.41
	17D11	Fan, generator	w/22700 gen	1	13.98
10	2A497	Adjusting link		1	16.64
11	1G1295	Fan blade (U)	-E11000	1	14.52
	11G232	Fan blade (U)	E11001-	2	14.22
12	811 0240	Fan belt	-E11000	1	23.30
	1H1001	Fan belt	E11001-	1	9.99

Carburettor

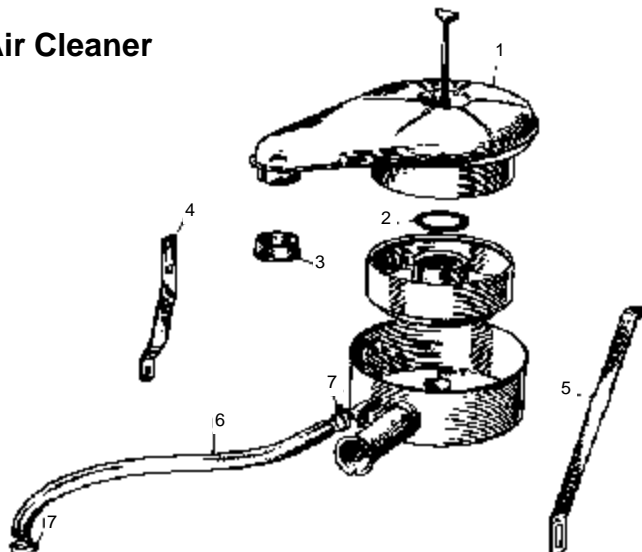


No	Part #	Description	Application	Qty Req	Price Each
1	811 0852	Carburettor, C-1386 (X)w/throttle	1G prefix	1	355.00
	811 1794	C-1466 (X) w/ throttle shaft	2G prefix	1	355.00
	1H866	C-1528 (X) w/throttle shaft	1H prefix	1	355.00
	1H1102	C-1630 (X)w/throttle shaft	A/C/FNH	1	355.00
	ZE-2K	Repair kit		1	49.00
	014103	Throttle shaft		1	79.85
2	11G257	Insulator		1	29.00
3	11G258	Gasket		2	4.54

Tired of that messy oil bath air cleaner? Try our custom made replacement with a replaceable dry filter element.

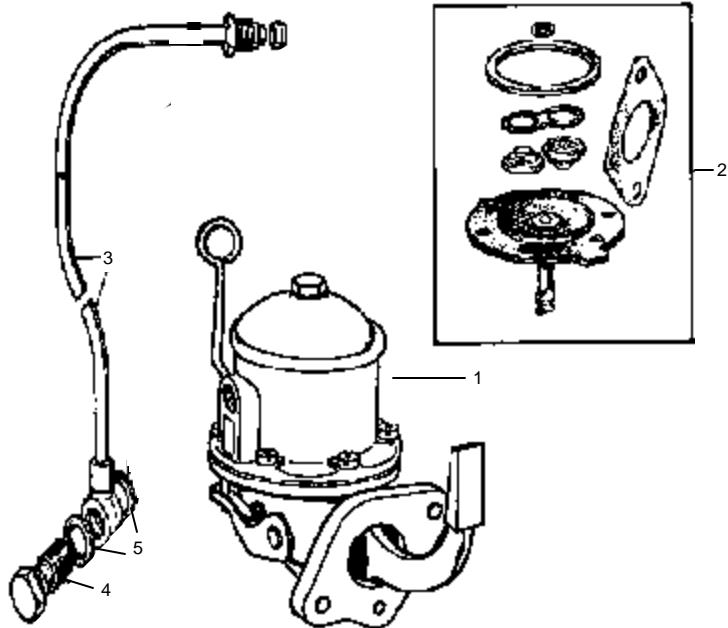
811 AC1	Air cleaner assy w/filter	all	1	95.00
A2035A	Replacement filter		1	16.94

Air Cleaner



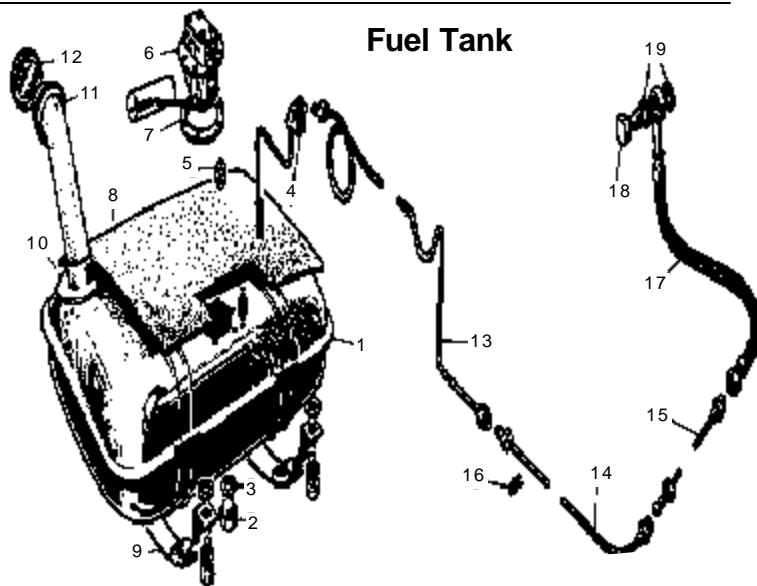
No	Part #	Description	Application	Qty	Price
1	811 1572	Air cleaner assy (U)	540	1	375.00
	11G223	Air cleaner assy (U)	560	1	355.00
2	AAK563	Gasket	560	1	8.17
3	1G2989	Insulator, rubber		1	16.34
4	11G225	Bracket	560	1	32.00
	RFN405	Grommet, bracket/ac	560	2	5.27
5	811 1729	Brace	540	1	42.00
	11G224	Brace	560	1	32.00
6	11G226	Hose	560	1	16.64
7	8G531	Clamp		2	2.73

Fuel Pump

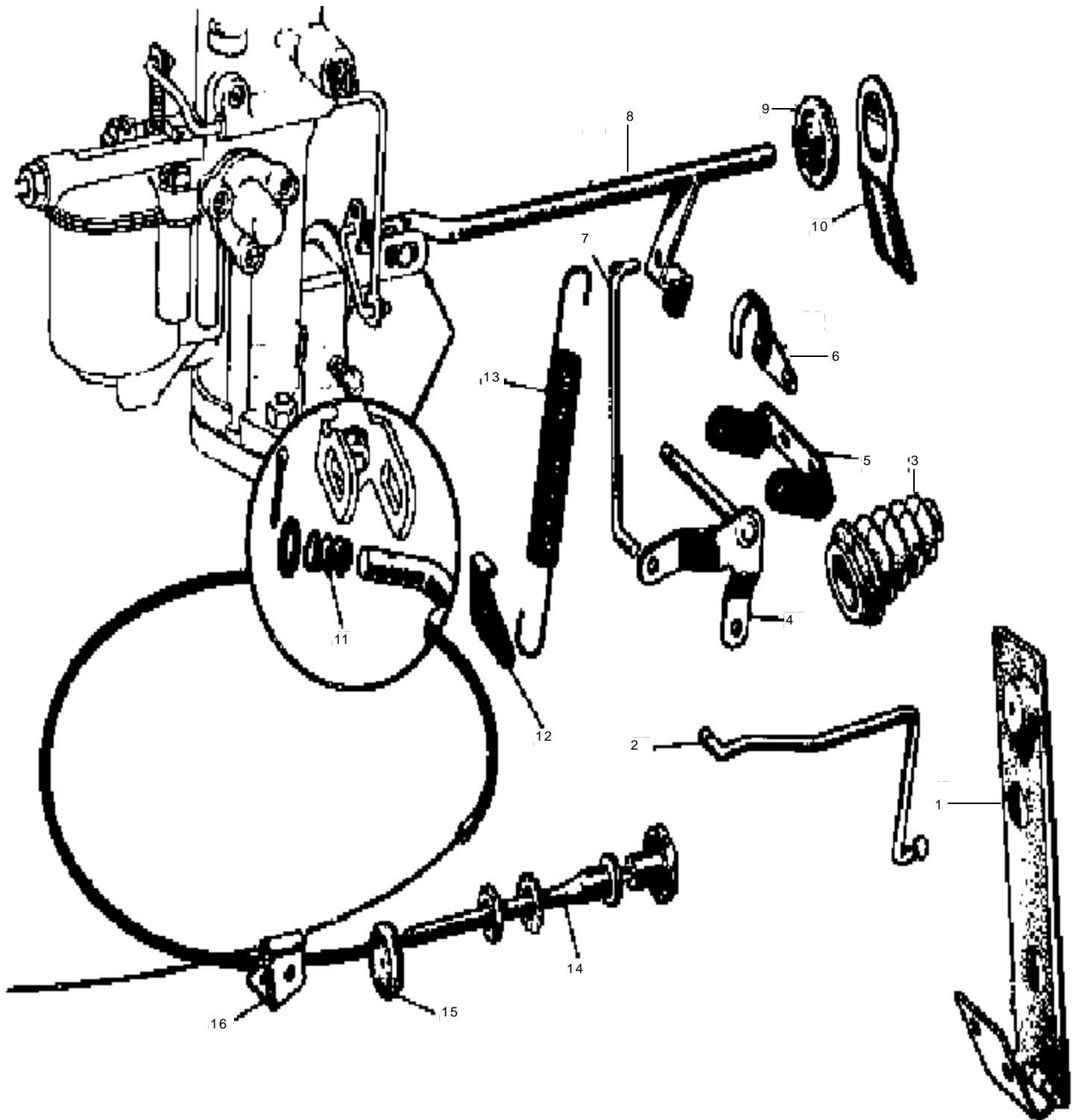


No	Part #	Description	Application	Qty Req	Price Each
1	3H973	Fuel pump (X75)	-E11000	1	133.10
	1G2614	Fuel pump (X)	E11001-	1	114.95
2	7H903	Repair kit		1	36.00
	811 0898	Gasket, pump/block	-E11000	1	2.73
	8G710	Gasket, pump/block	E11001-	1	2.73
3	1G2973	Pipe, pump/carburettor		1	49.00
4	1B1203	Screw, banjo		1	33.00
5	2K4954	Washer		2	1.03

Fuel Tank

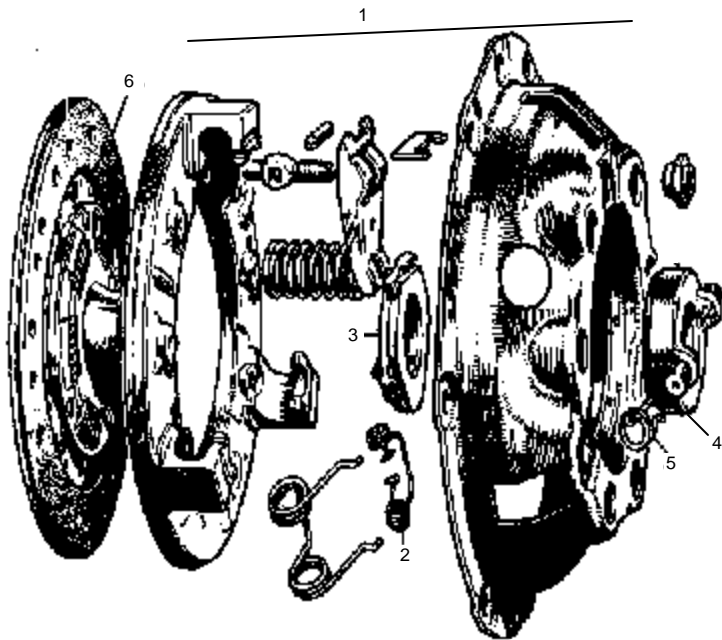


No	Part #	Description	Application	Qty	Price
1	ALH895	Fuel tank (X) Send in your tank to refurbish.		1	425.00
2	2A380	Drain plug		1	21.78
3	6K638	Washer		1	0.91
4	1H2067	Pickup tube		1	56.00
5	1H2070	Gasket		1	3.58
6	3H2672	Fuel gauge		1	131.84
7	2H1082	Gasket		1	2.12
8	ALH1647	Insulator		1	20.27
9	ALH2456	Mounting strap		2	55.00
10	ALH2458	Grommet, filler tube		1	36.00
11	ALH2459	Collar, filler tube		1	11.80
12	8G654	Gas filler cap		1	21.60
13	1H2108	Pipe, tank end *NCA*		1	78.35
14	1H2109	Pipe, intermediate *NCA*		1	72.30
15	811 0905	Pipe, pump end *NCA*	-E11000	1	63.83
	1H2110	Pipe, pump end *NCA*	E11001-	1	62.62
16	8G613	Spring clip		21	1.88
17	8G638	Hose (X) exchange only		1	84.40
18	1G2619	Screw, banjo		1	33.00
19	2K4954	Washer		2	1.03



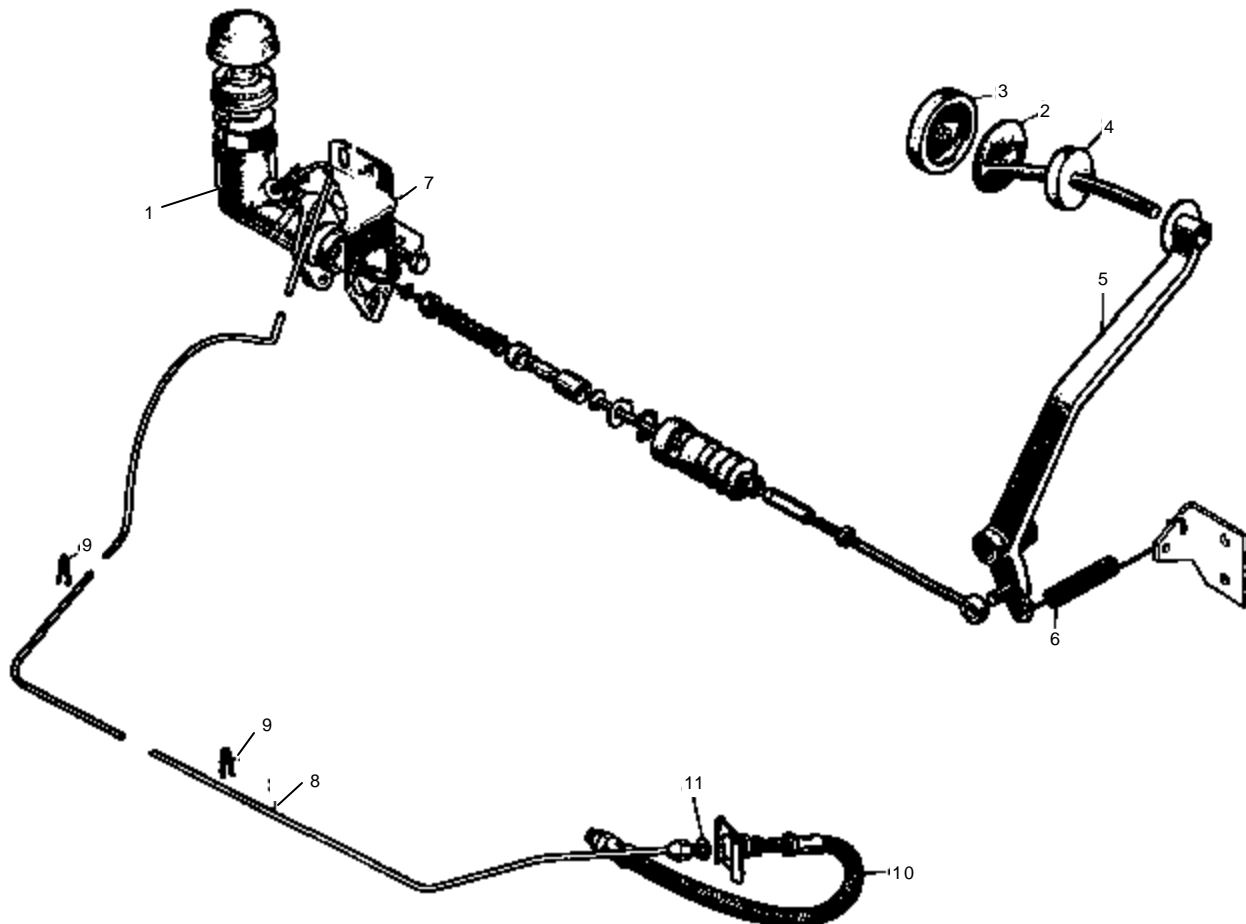
No	Part #	Description	Application	Qty Req	Price Each	No	Part #	Description	Application	Qty Req	Price Each
1	811 0260	Accelerator pedal	-E11000	1	32.98	9	1G2175	Bearing, brass & rubber		1	11.80
	11G2034	Accelerator pedal	E11001-	1	44.72	10	1G2188	Bracket (U)		1	10.59
2	811 0259	Arm (U)	-E11000	1	14.52	11	1G2240	Spring		1	2.73
	811 1913	Arm (U)	E11001-E33239	1	14.52	12	811 0271	Bracket (U)	-E11000	1	11.20
	11G2199	Arm (U)	E33240-	1	14.52		1G2655	Bracket	E11001-	1	10.59
3	11G2039	Boot	E11001-	1	19.18	13	1G2578	Return spring		1	5.51
4	11G2036	Bellcrank (U)	E11001-	1	10.89	14	11G2197	Choke cable assy		1	98.75
5	1G2195	Bracket (U)	E11001-	1	6.05	15	14A7212	Grommet		1	5.27
6	1G2197	Spring clip (U)	E11001-	1	4.54	16	1A2158	Clip		2	10.59
7	1G2178	Link (U)		1	11.80						
8	811 0267	Shaft (U)	-E11000	1	11.80						
	1G2656	Shaft (U)	E11001-	1	11.80						

Choke cables are manufactured by KMC with a chrome knob, just like the original.



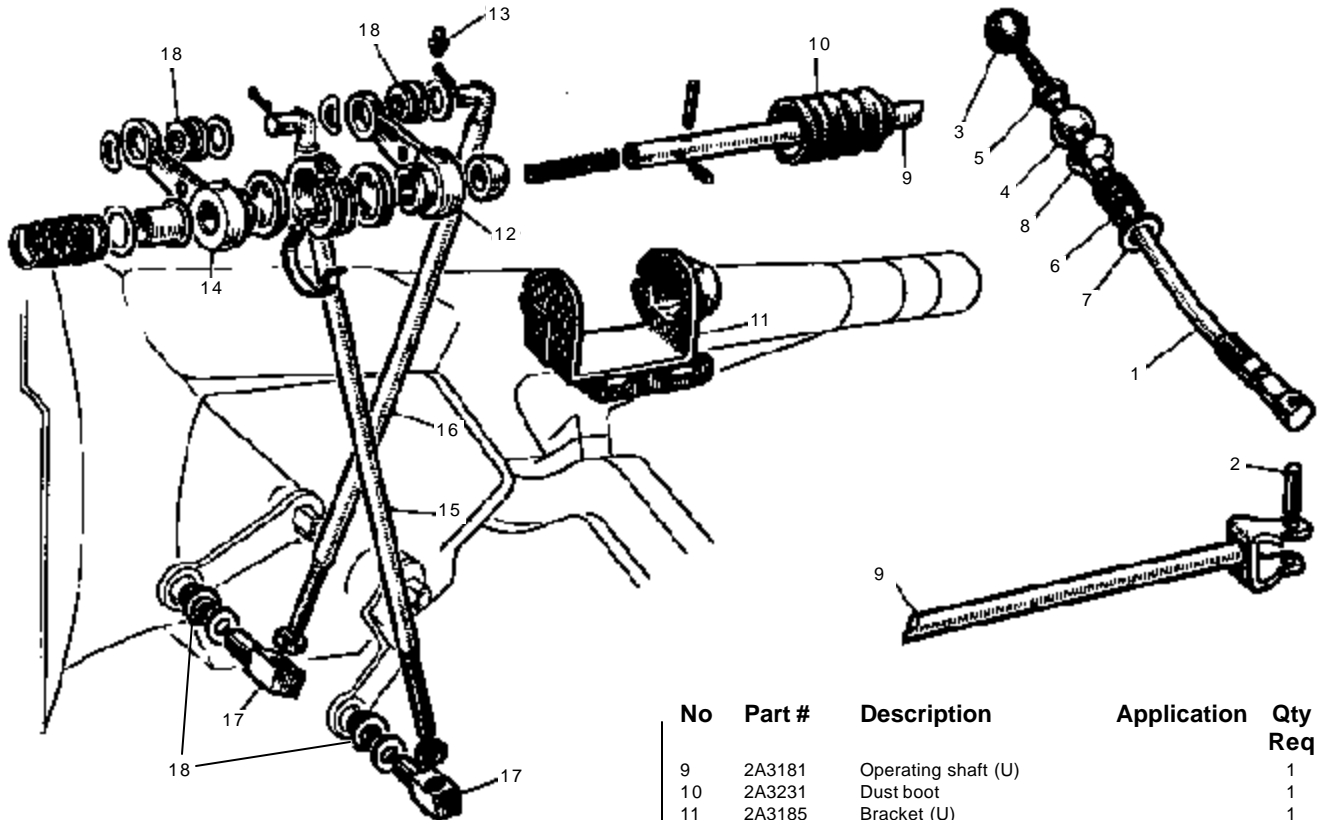
No	Part #	Description	Application	Qty Req	Price Each
1	3H1810	Cover assy (X100)	1G prefix	1	135.00
	7H3106	Cover assy (X100)	2G prefix	1	135.00
	7H3211	Cover assy (X85)	1500	1	135.00
2	7H3008	Retainer	540	3	NCA
	7H3001	Retainer	560	3	6.00
3	7H3043	Release plate	-E11000	1	NCA
	7H3213	Release plate	E11001-	1	17.85
4	7H3214	Release bearing		1	51.13
5	7H3048	Retaining spring		2	2.85
6	7H3219	Clutch plate (X75)	540	1	95.00
	7H3215	Clutch plate (X50)	560	1	95.00

BEWARE OF CLUTCH JITTER! When installing a new clutch plate, always resurface the flywheel and fit a new cover assembly and release bearing.



No	Part #	Description	Application	Qty Req	Price Each	No	Part #	Description	Application	Qty Req	Price Each
1	2A5404	Master cylinder	E11001-	1	170.92	7	2A5324	Bracket (U)	E11001-	1	19.36
	8G2161	Repair kit, 5/8"	E11001-	1	23.90	8	11H48	Pipe	E59048-	1	36.00
2	2A5277	Clutch pedal (U)		1	10.89	9	6K35	Clip	E11001-	3	1.88
3	1G5028	Pedal cover		1	11.92	10	11B5086	Hose	E11001-	1	31.16
4	2A5209	Sealing cushion		1	3.45	11	3H2287	Washer, copper	E11001-	1	1.16
5	811 0516	Lever (U)	-E11000	1	16.94						
	2A5316	Lever (U)	E11001-	1	16.94						
6	811 0521	Return spring-E11000	-E11000	1	NCA						
	2A5390	Return spring	E11001-	1	NCA						

Clutch slave cylinders are shown on page 14.

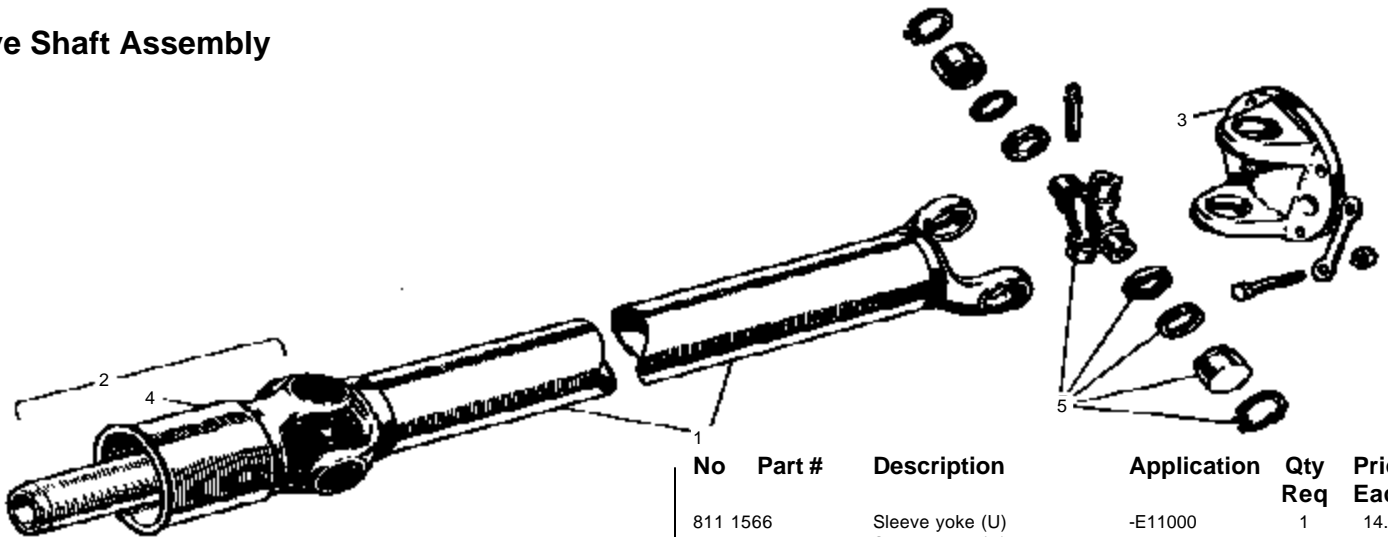


No	Part #	Description	Application	Qty Req	Price Each
1	2A3200	Shift lever (X20)		1	47.19
2	2A3173	Pivot pin		1	5.75
3	2A3190	Knob, gearshift - black		1	16.34
	2A3190A	cream		1	20.88
4	2A3194	Ball	NCA	1	
5	2A3195	Retaining nut		1	23.90
6	2A3238	Spring		1	9.50
7	6K9197	Washer		1	8.29
8	2A3234	Spring retainer		1	28.74

No	Part #	Description	Application	Qty Req	Price Each
9	2A3181	Operating shaft (U)		1	16.94
10	2A3231	Dust boot	NCA	1	
11	2A3185	Bracket (U)		1	14.52
12	2A3197	Lever, 2 & 3 (U)		1	10.89
13	UHN400	Grease zerk		1	2.12
14	2A3240	Lever, 1 & R (U)		1	10.89
15	2A3257	Shift rod, 1 & R (U)		1	13.31
16	2A3258	Shift rod, 2 & 3 (U)		1	13.31
17	2A3180	Trunion (U)		2	5.45
18	2A3169	Rubber bush		4	11.80

Sloppy shifting? Try replacing the rubber bushes. Remember to always shift in an 'H' pattern, don't cheat and try an 'X', or you may end up locked in two gears at once.

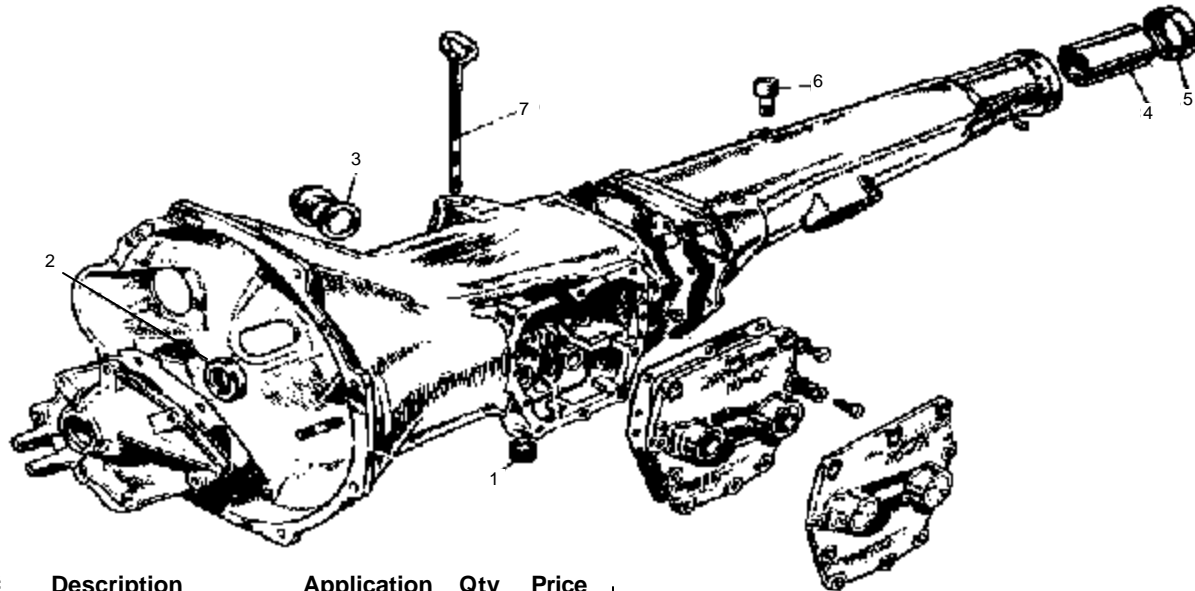
Drive Shaft Assembly



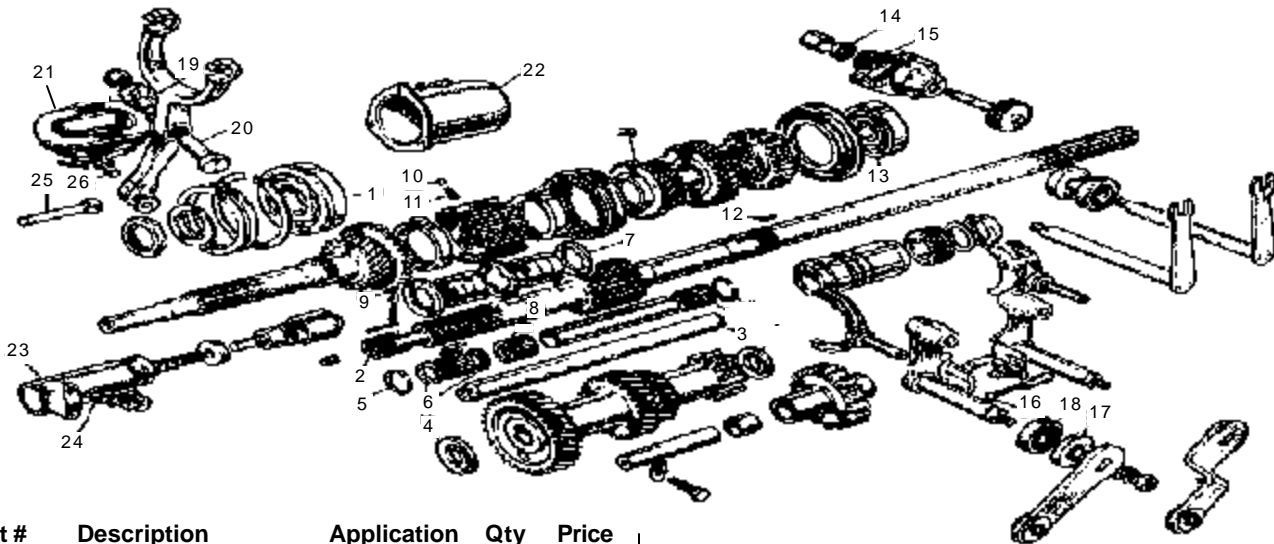
No	Part #	Description	Application	Qty Req	Price Each
	811 0394A	Drive shaft assy (X50)	-E11000	1	199.65
	811 1802A	Drive shaft assy (X50)	E11001-E28705	1	199.65
	17H3906A	Drive shaft assy (X50)	E28706-	1	199.65
	811 0394	Drive shaft (U)	-E11000	1	31.46
	811 1802	Drive shaft (U)	E11001-E28705	1	31.46
	17H3906	Drive shaft (U)	E28706-	1	31.46

No	Part #	Description	Application	Qty Req	Price Each
	811 1566	Sleeve yoke (U)	-E11000	1	14.52
	811 2364	Sleeve yoke (U)	E11001-E28705	1	14.52
	17H3921	Sleeve yoke (U)	E28706-	1	14.52
	7H3863	Flange yoke (U)		1	10.89
	811 1205	Dust cover (U)	-E11000	1	9.68
	811 1803	Dust cover (U)	E11001-E28705	1	9.68
	1G7593	Dust cover (U)	E28706-	1	9.68
	8G3000	U-joint		2	29.95

Have your drive shaft balanced for a smoother, vibration free ride.

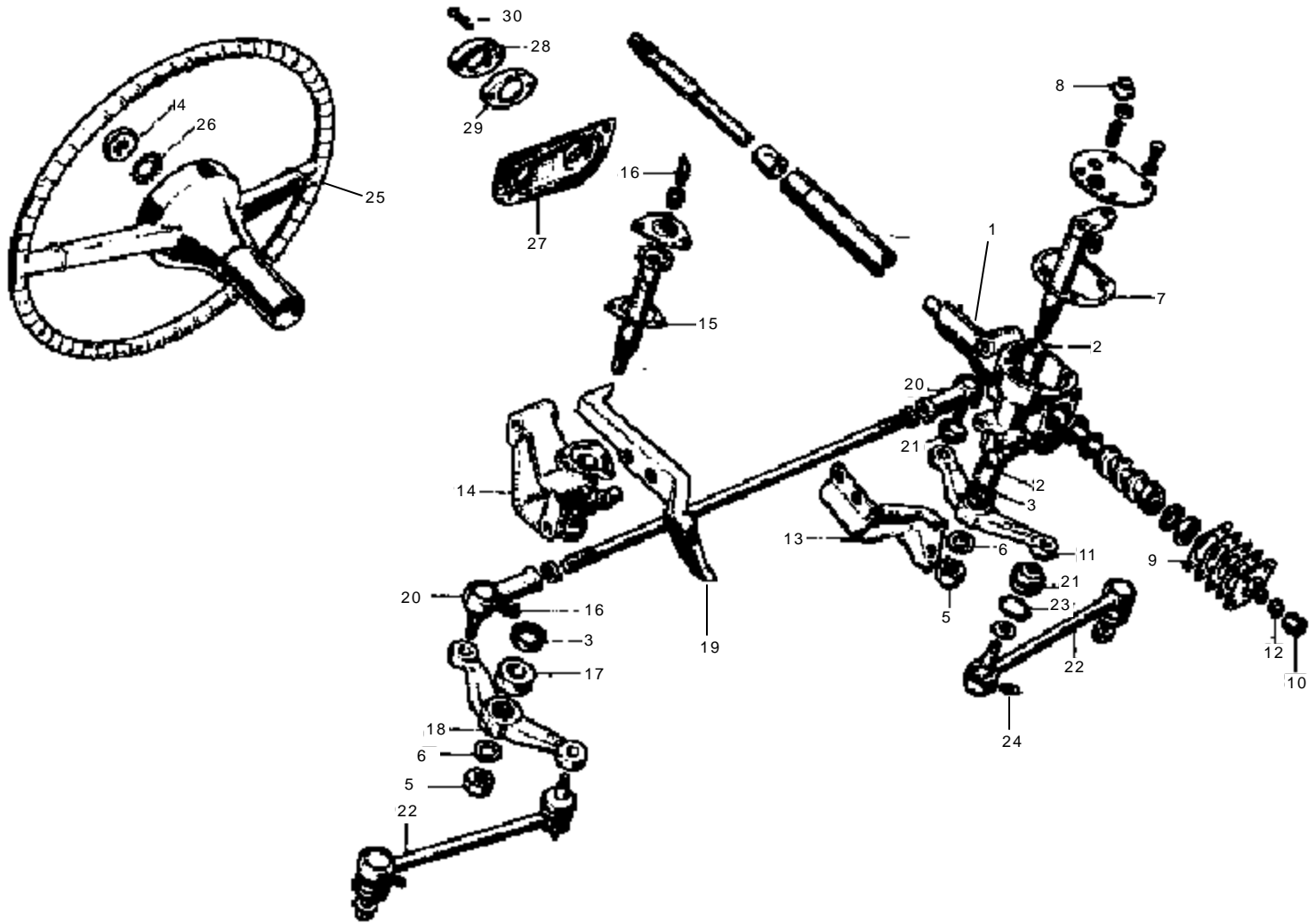


No	Part #	Description	Application	Qty Req	Price Each	No	Part #	Description	Application	Qty Req	Price Each
	811 2907	Gearbox (X295)	-E11000	1	1275.00						
	811 1804	Gearbox (X95)	E11001-E27904	1	1185.00	3	2K4971	Washer		2	NCA
	811 2257	Gearbox (X95)	E27905-E28705	1	1185.00	4	1G3418	Bushing	E11001-	1	NCA
	811 2362	Gearbox (X95)	E28706-E59047	1	1185.00	5	811 2268	Seal	-E11000 - E28705	1	84.40
	22H10	Gearbox (X95)	E59048-	1	1185.00		1H3339	Seal	E28706-	1	16.04
	TS13643	Gasket set	-E11000	1	44.00	6	1H3364	Breather		1	8.17
	HJ007	Gasket set	E11001-	1	11.20	7	1G3802	Level indicator	E11001-	1	91.66
1	6K499	Drain plug	E11001-	1	5.87						
2	1H3138	Oil seal	E59048-	1	6.00						



No	Part #	Description	Application	Qty Req	Price Each	No	Part #	Description	Application	Qty Req	Price Each
1	811 0435	Bearing	-E11000	1	79.26	17	2K8961	Felt ring		2	10.59
	6K885	Bearing	E11001-	1	90.20	18	1B3343	Oil seal		2	21.60
2	6K892	Needle bearing	E11001-	18	2.00	19	11G3195	Bushing	560	1	3.94
3	11G3123	Layshaft	E11001-	1	45.38	20	11G3196	Bolt	560	1	15.31
4	1G3576	Thrust washer	E11001-	1	22.94	21	1G3667	Dust boot	E11001-	1	10.84
5	11G3027	Spring ring	E11001-	1	1.52	22	811 0501	Cover (U)	-E11000	1	21.78
6	3H2865	Needle bearing	E11001-	3	29.65		811 1878	Cover (U)	E11001-E59047	1	19.36
7	1G3492	Thrust washer	E11001-	1	NCA		1H3315	Cover (U)	E59048-	1	19.36
8	1G3331	Lock ring	E11001-	1	20.27	23	811 1875	Slave cylinder	E11001-E59047	1	177.27
9	11G3127	Thrust washer, .1565-75"	E11001-	A/R	6.47		13H296	Slave cylinder	E59048-	1	235.00
10	BLS109	Locating ball		3	1.64		811 2079	Repair kit, slave cylinder		1	22.00
11	6K884	Spring	E11001-	3	4.30	24	7H4973	Bleed screw	E11001-	1	4.54
12	WKN304	Key	E11001-	1	1.21	25	1B3701	Pushrod		1	21.48
13	6K528	Bearing		1	61.05	26	2K5622	Pin	E11001-	1	1.76
14	811 0472	Oil seal	540 8-37 axle	1	20.88						
	2A3254	Oil seal	9-41 axle	1	9.38						
15	811 0474	Gasket	540 8-37 axle	1	5.15						
	811 1868	Gasket	-E28705 9-41	1	5.15						
	11G3228	Gasket	E28706-	1	5.15						
16	BLS109	Ball	E11001-	1	1.64						

Grinding of gears or hard shifting are frequently caused by the use of improper gearbox lubricant. See your owners handbook for lubrication specifications.



No	Part #	Description	Application	Qty Req	Price Each
1	811 0953	Steering box assy (X145)	-E26872	1	385.00
	2A6124	Steering box assy (X145)	E26873-	1	375.00

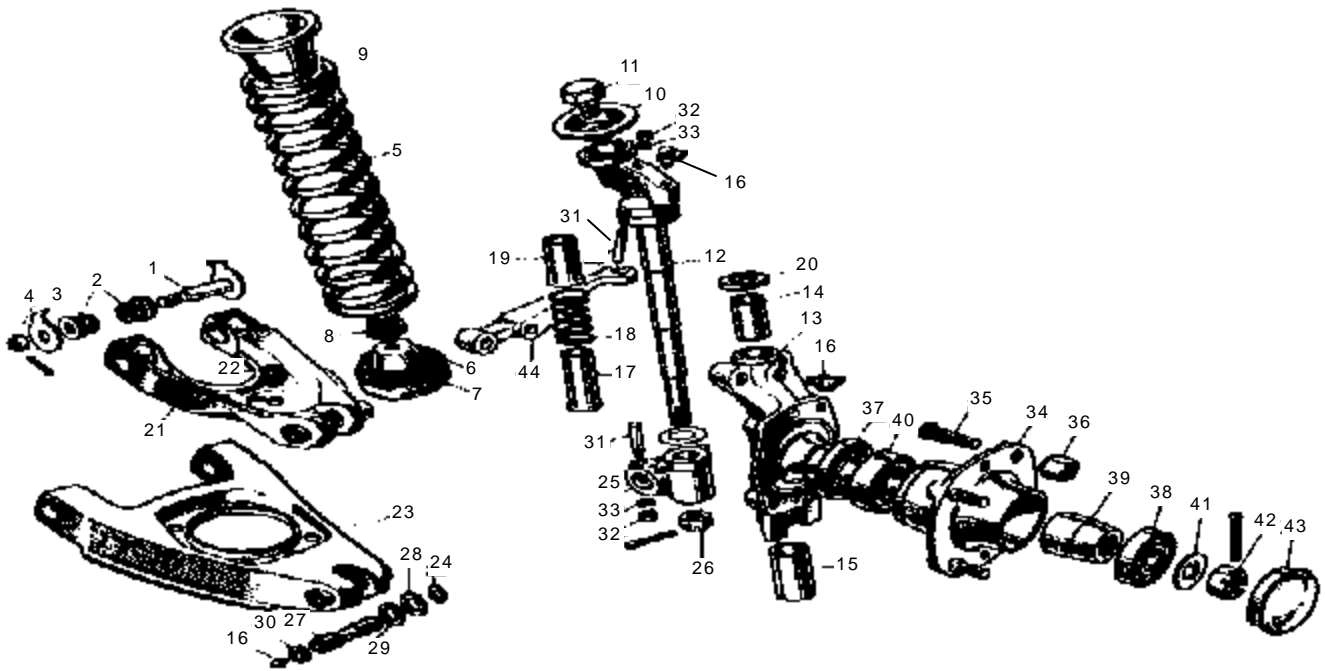
MOST STEERING PROBLEMS are due to a worn steering box rather than worn side rods or track rod ends.

2	7H6455	Bushing		2	14.00
3	3H3132	Oil seal		2	21.00
4	7H6429	Nut		1	28.74
5	FNZ110	Nut		2	8.17
6	2K8619	Lockwasher		2	3.45
7	7H6393	Gasket		1	9.50
8	17H6126	Plug, rubber	E26873-	1	14.75
9	7H6398	Gasket		1	7.08
10	7H6167	Nut for olive		1	22.69
11	811 0964	Steering arm (U)	-E31762	1	9.68
	811 2410	Steering arm (U)	E31763-E57439	1	9.68
	1H6073	Steering arm (U)	E57460-	1	9.68
12	3H660	Olive		1	3.94
13	2A6060	Bracket (U)		1	9.68
14	811 0957	Idler assy (X85)	-E31762	1	225.00
	1H6062	Idler assy (X65)	E31763-	1	215.00
15	811 2406	Gasket	-E31762	1	5.63
	1B6138	Gasket	E31763-	1	5.63
16	UHN490	Lubricator		3	2.73
17	811 0959	Dust seal	-E31762	1	7.08
	1G6236	Dust seal	E31763-	1	7.08
18	811 0841	Idler arm (U)	-E31762	1	9.68
	811 2408	Idler arm (U)	E31763-E57459	1	9.68
	1H6072	Idler arm (U)	E57460-	1	9.68

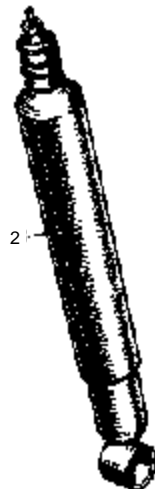
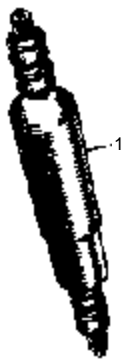
No	Part #	Description	Application	Qty Req	Price Each
19	811 1160	Bracket (U)	-E31762	1	9.68
	811 2409	Bracket (U)	E31763-E57459	1	9.68
	ALH2531	Bracket (U)	E57460-	1	14.52
20	811 2272	Track rod end, set (2)	male thread	1	114.95
	11H361	Track rod end, set (2)	560 female thread	1	102.85
21	7H3698	Dust cover	shoulder type	6	5.45
22	11H89	Side rod, left & right*		2	245.00
23	17H3403	Retainer		4	4.42
24	UHN400	Lubricator		4	2.12
25	2A6054	Steering wheel (X150)		1	375.00
26	6K900	Lockwasher		1	4.54
27	2A6098	Grommet		1	38.42
28	2A6052	Cushion		1	9.99
29	2A6053	Retainer		1	NCA
30	PMP0416	Bolt		2	5.15

*KMC SIDE ROD FITS CORRECTLY. Other ones available are cheaper, but do NOT fit correctly inhibiting steering.

TIRED OF DRIVING WITH A CRACKED & DETERIORATING STEERING WHEEL? Don't just cover it up or fill in the cracks and paint it, it'll just crack again in no time flat. Replace it with a KMC recast steering wheel. We remove the old plastic from the rim & sandblast the wheel to bare metal, cast on a new urethane rim, then finish off the hub and spokes with a durable high gloss urethane paint for that factory fresh look and feel.

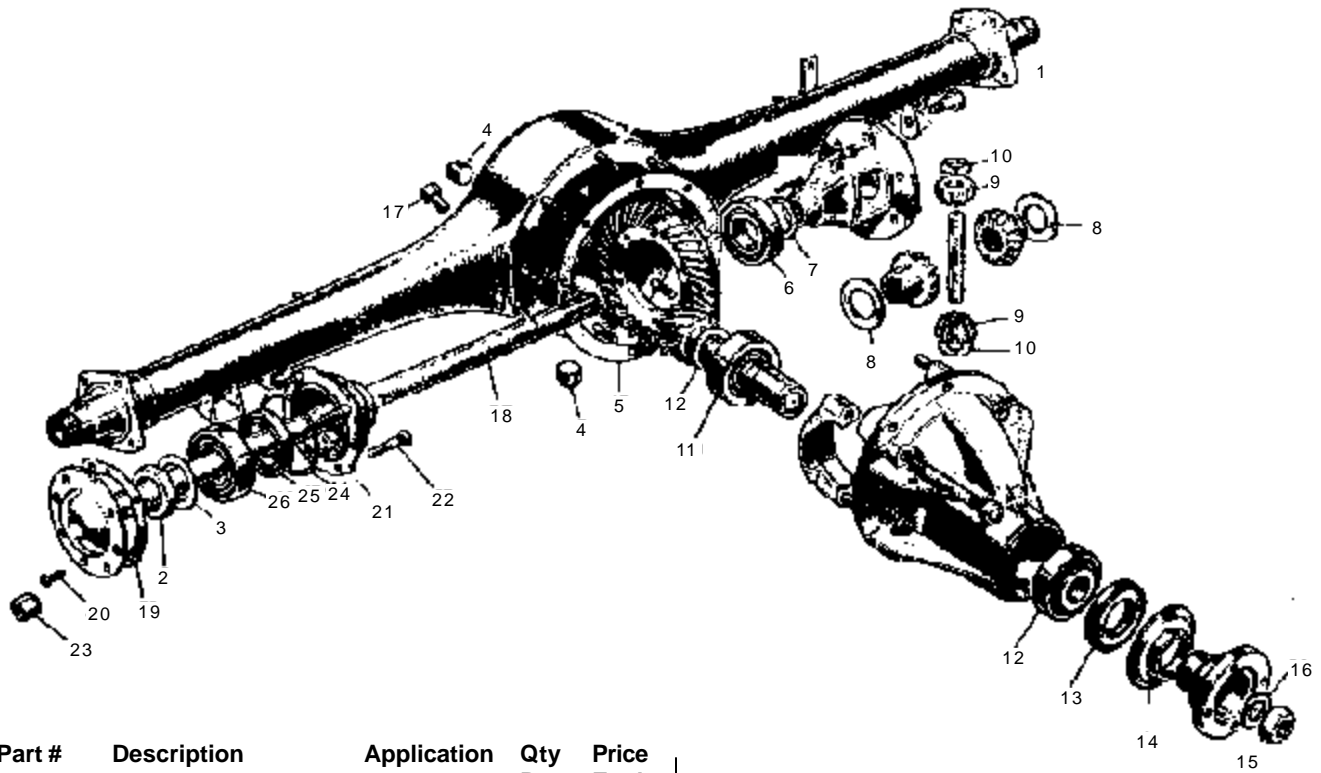


No	Part #	Description	Application	Qty Req	Price Each	No	Part #	Description	Application	Qty Req	Price Each
1	2A4272	Fulcrum pin		8	11.68	24	51K3424	Plug		4	1.28
2	8G621	Bushing		16	4.79	25	811 0318	Trunnion (X20)	-E26872	2	125.00
3	2A4024	Washer		8	5.87		811 2387	Trunnion (X20)	E26873-E53118	2	125.00
4	LNZ206	Locknut		8	1.16		2A4219	Trunnion (X20)	E53119-	2	125.00
5	2A4150	Coil spring (U)		2	35.09	26	FNZ307	Nut		2	1.76
6	2A4092	Cushion, rubber		4	19.75	27	2A4020	Fulcrum pin		4	33.46
7	2A4093	Bracket (U)		2	10.89	28	2A4206	Seal ring, large		4	3.45
8	2A4094	Bumper, rubber		2	33.88	29	2A4205	Seal ring, small		4	1.88
9	2A4116	Bracket (U)		2	9.68	30	8G589	Plug, screwed		4	3.94
10	2A4098	Seat (U)		2	7.26	31	2A4090	Lockpin		4	5.87
11	2A4099	Screw		2	6.96	32	FNZ103	Nut		4	0.91
12	2A4109	King pin (U)		2	175.45	33	LWZ203	Lockwasher		4	0.73
13	811 0306	Axle (U)	-E26872	2	199.65	34	2A4348	Hub (U)		2	54.45
	811 2386	Axle (U)	E26873-E53118	2	199.65	35	2A4066	Stud		4	4.42
	1H4113	Axle (U)	E53119-	2	199.65	36	ATA7499	Lug nut		8	3.09
14	1A4744	Bushing, top		2	14.52	37	ACA4000	Oil seal		2	6.84
15	811 0308	Bushing, bottom	-E26872	2	14.52	38	2A4148	Bearing, outer		2	40.48
	2A4176	Bushing, bottom	E26873-	2	13.01	39	ATA4064	Distance piece		2	18.10
16	UHN490	Lubricator		4	2.73	40	2A4299	Bearing, inner		2	53.24
17	2A4011	Dust excluder		2	11.80	41	2A4003	Washer		2	4.24
18	6K653	Spring		2	1.88	42	51K328	Nut		2	2.37
19	2A4010	Dust excluder		2	12.65	43	2A4067	Cover		2	19.67
20	2A4152	Thrust washer		2	19.36	44	811 0325	Steering lever, RH (U)	-E27427	1	13.31
21	2A4087	A-arm, upper (X75)		2	255.00		2A4204	Steering lever, RH (U)	E27428-	1	13.31
22	2A4030	Bumper, rubber		2	14.00		811 0326	Steering lever, LH (U)	-E27427	1	13.31
23	21A153	A-arm, lower		2	335.00		2A4203	Steering lever, LH (U)	E27428-	1	13.31



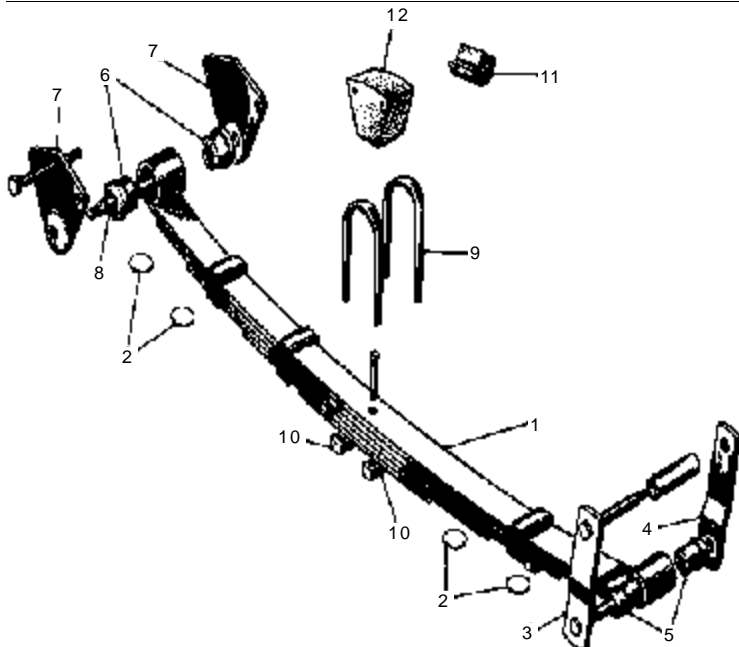
No	Part #	Description	Application	Qty Req	Price Each
1	11H40	Shock absorber, front		2	48.10
2	11H42	Shock absorber, rear		2	54.15

Shock absorbers are supplied complete with mounting hardware.



No	Part #	Description	Application	Qty Req	Price Each
	811 0337	Differential assy, 8/37 (X195)	540 -E11000	1	1275.00
	811 2032	Differential assy, 9/41 (X195)	540 E11001-	1	1275.00
	ATA7204	Differential assy, 9/38 (X195)	560	1	1125.00
1	811 0338	Axle case (U)	-E26992	1	54.45
	ATA7288	Axle case (U)	E26993-	1	54.45
2	2A7103	Nut, RHT		1	17.85
	1G3584	Nut, LHT		1	19.31
3	2A7250	Washer		2	3.94
4	6K499	Drain/filler plug		2	5.87
5	2A7027	Gasket		1	3.58
6	2K5943	Bearing		2	58.69
7	2K7778	Washer, .004" .010"		A/R	2.85
	2A7271			A/R	3.33
8	ATA7296	Thrust washer		2	4.96
9	2A7015	Pinion gear		2	66.86
10	ATA7297	Thrust washer		2	11.80
11	811 0347	Bearing, inner	540	1	234.74
	ATA7166	Bearing, inner	560	1	437.80

No	Part #	Description	Application	Qty Req	Price Each
12	811 0346	Bearing, outer	540	1	169.10
	ATA7119	Bearing, outer	560	1	55.06
13	ATA7047	Oil seal		1	5.87
14	1G7439	Dust cover (U)		1	16.94
15	FNN612	Nut	560	1	5.87
16	LWZ212	Lockwasher		1	0.91
17	1H3364	Vent		1	8.17
18	2A7242	Axle shaft		2	477.95
19	2A7091	Gasket		2	1.52
20	CMZ0410	Screw		2	1.52
21	2A7087	Hub (U)		2	66.55
22	2A7089	Wheel stud		8	7.45
23	2A8012	Lug nut		8	3.09
24	ATA7225	O-ring		2	3.75
25	BTA108	Oil seal		2	9.99
26	6K584	Bearing		2	25.72



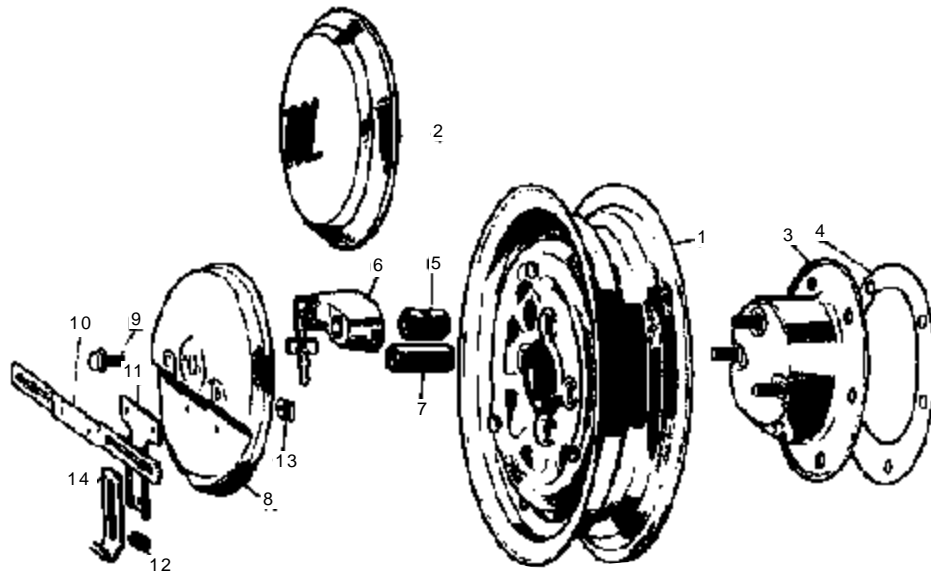
No	Part #	Description	Application	Qty Req	Price Each
	13H384	Jack		1	85.00
	3H2903	Jack handle		1	75.00
	11H169	Tool bag		1	31.46
1	7H1807	Leaf spring		2	393.25
2	7H1808	Spacer, plastic		8	9.00
3	2A5168	Shackle, outer (U)		2	11.80
4	2A5172	Shackle, inner (U)		2	10.29
5	2A5175	Bushing, rear		8	6.60
6	2A5174	Bushing, front		4	21.00
7	2A5167	Hanger (U)		4	10.89
8	2A5173	Pin (U)		2	9.99
9	2A5177	U-bolt (U)		4	7.26
10	2A5178	Bar (U)		4	4.54
11	2A7141	Bumper, center		1	20.27
12	2A7142	Bumper, outer		2	16.16

540 Series cars were originally equipped with 5.20 x 13 bias belted tires.
560 Series cars were originally equipped with 5.60 x 13 bias belted tires.

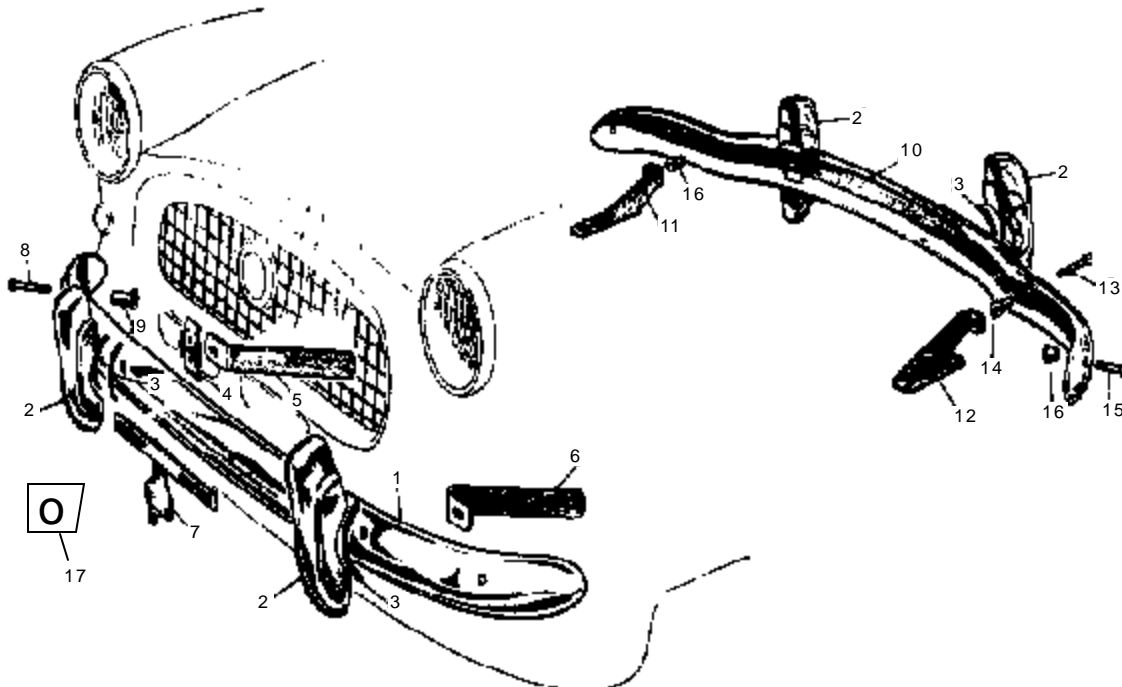
WHEN USING MODERN TIRE SIZES

145 / 80 R 13 is approximately equivalent to 5.20 x 13 (bias or radial)
155 / 80 R 13 is approximately equivalent to 5.60 x 13 (bias or radial)

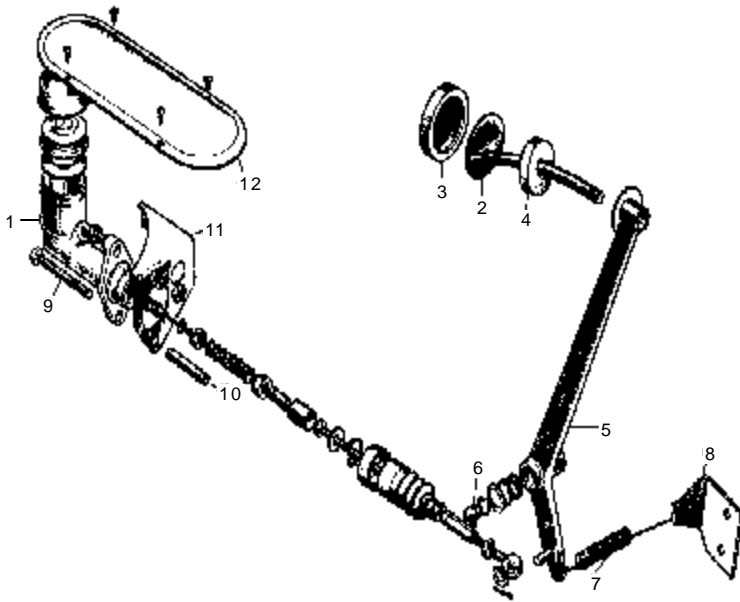
Radial tires provide greatly improved ride and handling.
Use of an improper size tire may result in damage to your car.



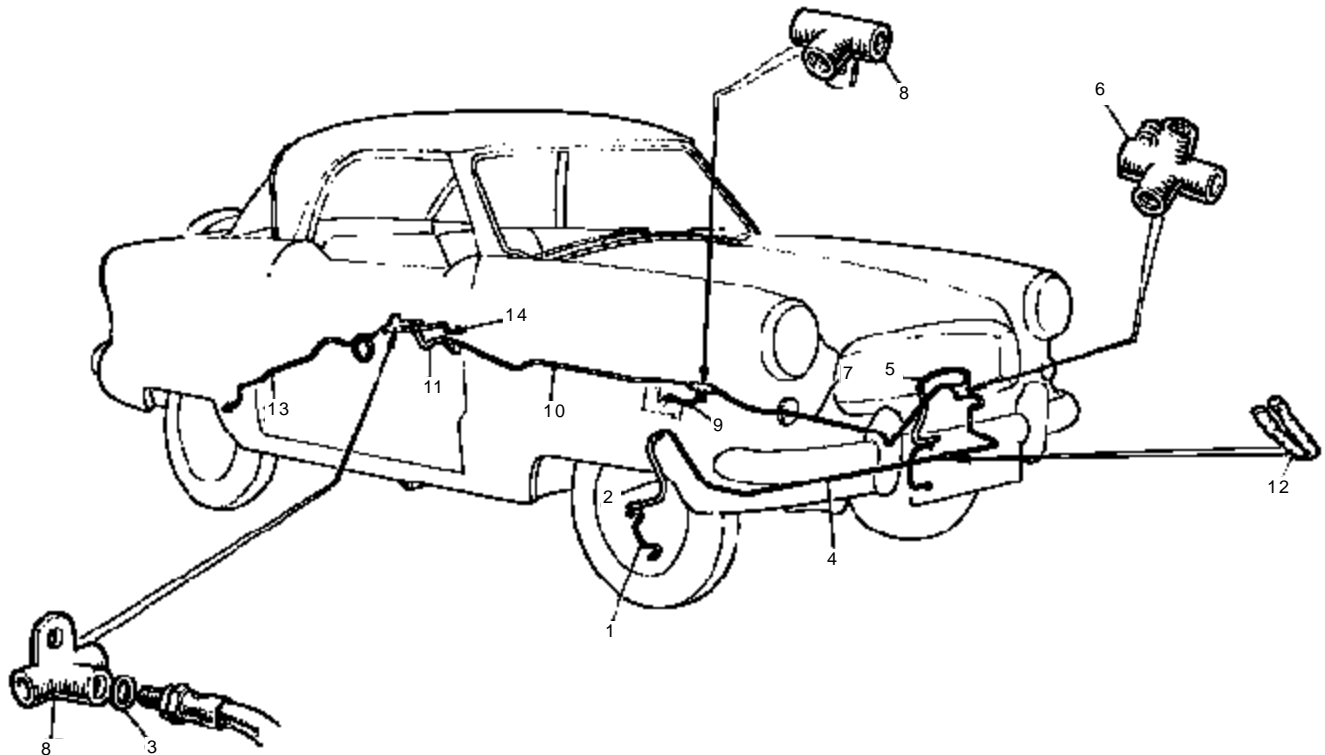
No	Part #	Description	Application	Qty Req	Price Each	No	Part #	Description	Application	Qty Req	Price Each
1	811 0886	Wheel (U)	540	5	95.00	7	2A5257	Nut		2	19.75
	811 2224	Wheel (U)	560 -E46555	5	95.00	8	811 0889	Wheel cap, "Nash"		1	110.00
	2A8058	Wheel (U)	E46555-	5	95.00		2A5440	Wheel cap, plain (U)		1	39.00
2	811 0888	Hubcap, "Nash"		4	185.00	9	2A5302	Cap bolt		2	29.25
	2A8020	Hubcap, "M"		4	110.00	10	2A5236	License holder, rear (U)		1	35.00
	2A8020A	Hubcap, plain		4	63.53	11	2A5235	Bracket (U)		1	29.00
3	2A5227	Bracket (U)		1	28.00	12	RFN403	Grommet		1	5.27
4	2A5229	Gasket		1	12.75	13	2H174	Clip		1	8.17
5	2A5256	Nut, grooved		1	24.00	14	2A5250	License clamp (U)		1	29.00
6	3H2937	Lock w/key (U)		1	151.25						



No	Part #	Description	Application	Qty Req	Price Each	No	Part #	Description	Application	Qty Req	Price Each
1	2A5216	Front bumper (X195)		1	325.00	10	2A5253	Rear bumper (X195)		1	325.00
2	2A5214	Override		4	89.00	11	2A5238	Bracket, right (U)		1	39.00
3	2A5363	Gasket set		1	14.00	12	2A5239	Bracket, left (U)		1	39.00
4	7H1746	Seating bracket		4	26.00	13	2A5225	Bumper bolt		2	12.75
5	2A5217	Bracket, right		1	34.00	14	2A5336	Spacer		2	10.75
6	2A5218	left		1	34.00	15	2A5224	Bumper bolt		2	12.75
7	2A5306	License holder		1	135.00	16	2A5246	Spacer		2	10.75
8	2A5226	Bumper bolt		2	12.75	17	811 TDB	Bracket, tie down (U)		2	24.00
9	2A5244	Spacer		2	10.75						



No	Part #	Description	Application	Qty Req	Price Each
1	811 0556	Master cylinder	-E29283	1	265.00
	1H5476	Master cylinder	E29284-	1	170.91
	811 2071	Repair kit, 3/4"	-E29283	1	23.90
	8G8568	Repair kit, 5/8"	E29284-	1	23.90
2	2A5277	Brake pedal (U)		1	10.89
3	1G5028	Pedal cover		1	11.92
4	2A5209	Sealing cushion		1	3.45
5	811 0546	Lever (U)	-E11000	1	14.52
	811 1888	Lever (U)	E11001-E29283	1	14.52
	1H5491	Lever (U)	E29284-	1	14.52
6	2H2828	Lubricator (Grease Zerk)		1	NCA
7	2A5390	Return spring		1	NCA
8	2A5322	Bracket (U)		1	16.94
9	HBZ0528	Screw	E11001-	1	3.21
10	2A5320	Spacer	E11001-	1	6.36
11	811 0555	Bracket (U)	-E11000	1	14.52
	2A5357	Bracket (U)	E11001-	1	14.52
12	14A9436	Cover		1	28.00



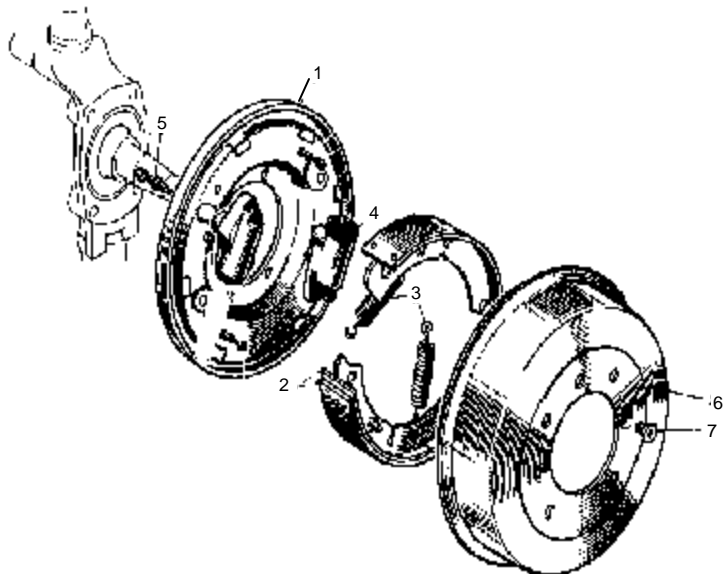
No	Part #	Description	Application	Qty Req	Price Each
1	2A5268	Pipe, cylinder/cylinder		2	15.23
2	2A4164	Hose, front		2	47.50
3	3H2287	Sealing washer		3	1.16
4	1H2114	Pipe, front right/4-way		1	43.75
5	1H2113	Pipe, front left/4-way		1	19.25
6	11K5303	Connector, 4-way		1	92.87
7	1H2112	Pipe, 3-way/4-way		1	33.25
8	2A5346	Connector, 3-way		2	33.25
9	1H2117	Pipe, master/3-way		1	14.75
10	1H2115	Pipe, 3-way/hose		1	42.75
11	1G4406	Hose, rear		1	43.26
12	8G613	Clip		8	1.88
13	811 0927	Pipe, 3-way/right cylinder	-E29283	1	23.75
	21A460	Pipe, 3-way/right cylinder	E29284-	1	23.75
14	811 0926	Pipe, 3-way/left cylinder	-E29283	1	17.25
	21A461	Pipe, 3-way/left cylinder	E29284-	1	17.25

Still driving on rusty, 40+ year old steel brake lines? Protect your life and your investment with a new set of steel lines.

USE ONLY **CASTROL GT LMA BRAKE FLUID**

The seals and hoses in your brake and clutch system are made from *natural rubber* which is only compatible with *vegetable based* brake fluid. The only vegetable based brake fluid generally available in the US is *Castrol GT LMA*. Use of improper fluids or mixing of fluids can lead to complete failure of brake and clutch hydraulics. On cars not used for daily transportation, brake and clutch systems should be exercised on a regular schedule.

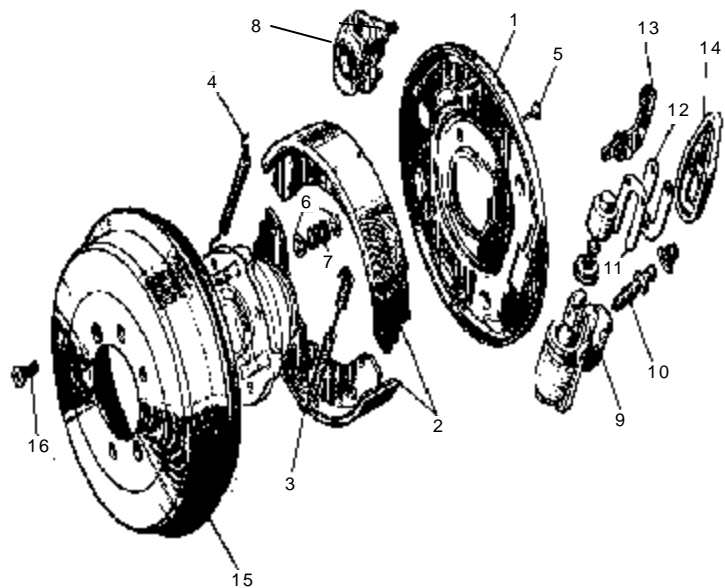
17H4762	Brake/clutch fluid	12 oz	2	8.17
7H4739	Brake/clutch fluid	QT	1	19.06



FRONT

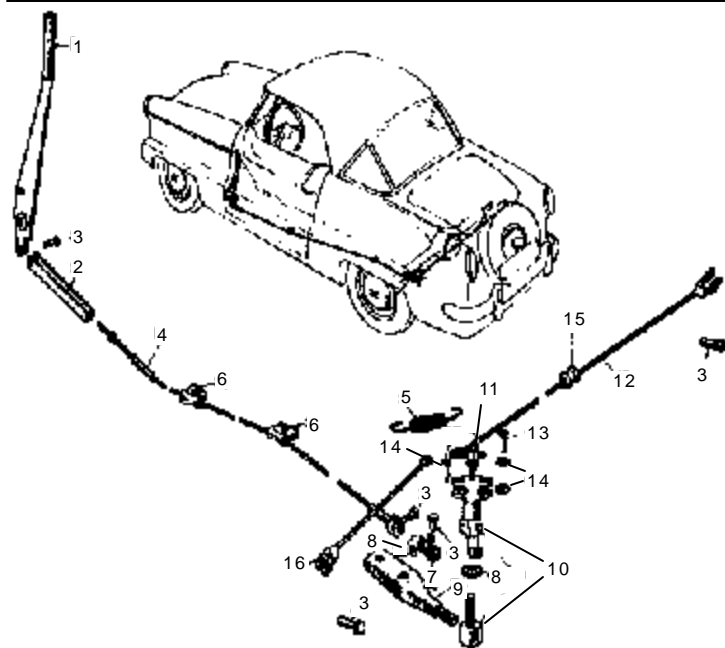
No	Part #	Description	Application	Qty Req	Price Each
1	811 0990	Back plate, front right (U)	-E29283	1	39.00
	2A4192	Back plate, front right (U)	E29284-	1	95.00
	811 0989	Back plate, front left (U)	-E29283	1	39.00
2	2A4194	Back plate, front left (U)	E29284-	1	95.00
	811 0986	Shoe set, front (X125)	-E29283	1	69.75
3	8G4152	Shoe set, front (X50)	E29284-	1	69.75
	17H4565	Return spring		4	13.65
4	811 0993	Wheel cylinder, front right	-E29283	2	199.65
	17H4393	Wheel cylinder, front right	E29284-	2	48.10
	811 0992	Wheel cylinder, front left	-E29283	2	199.65
	17H4394	Wheel cylinder, front left	E29284-	2	48.10
	811 1793	Repair kit	-E29283	1	55.00
5	8G4153	Repair kit	E29284-	1	55.00
	7H4973	Bleed screw		2	4.54
6	ATA7255	Brake drum (U)		2	98.00
	7	CMZ0410	Screw	4	1.95

Having trouble bleeding your brakes? Go to www.kipmotor.com and check out the FAQ section for step-by-step instructions.



REAR

No	Part #	Description	Application	Qty Req	Price Each
1	811 1006	Back plate, rear right (U)	-E29283	1	39.00
	2A7260	Back plate, rear right (U)	E29284-	1	39.00
	811 1005	Back plate, rear left (U)	-E29283	1	39.00
	2A7263	Back plate, rear left (U)	E29284-	1	39.00
2	8G7100	Shoe set, rear (X15)		1	69.75
3	7H4773	Spring, cylinder end		2	9.99
4	7H4774	Spring, adjuster end		2	9.99
5	17H4383	Retaining pin	E29284-	4	2.00
6	17H4374	Cup washer	E29284-	8	1.33
7	17H4375	Spring	E29284-	4	1.76
8	7H4775	Adjuster assy		2	53.19
9	811 1010	Wheel cylinder, rear	-E29283	2	199.65
	17H4409	Wheel cylinder, rear	E29284-	2	39.03
10	811 1012	Repair kit	-E29283	1	28.00
	8G8081	Repair kit	E29284-	1	23.75
11	7H4973	Bleed screw		2	4.54
12	17H4386	Retaining spring		2	14.75
13	17H4385	Lockplate		2	12.75
14	811 1013	Lever	-E29283	2	36.00
	17H4382	Lever	E29284-	2	32.00
15	811 1015	Dust cover	-E29283	2	16.25
	17H4384	Dust cover	E29284-	2	8.95
16	ATA7255	Brake drum (U)		2	98.00
17	CMZ0410	Screw		4	1.95



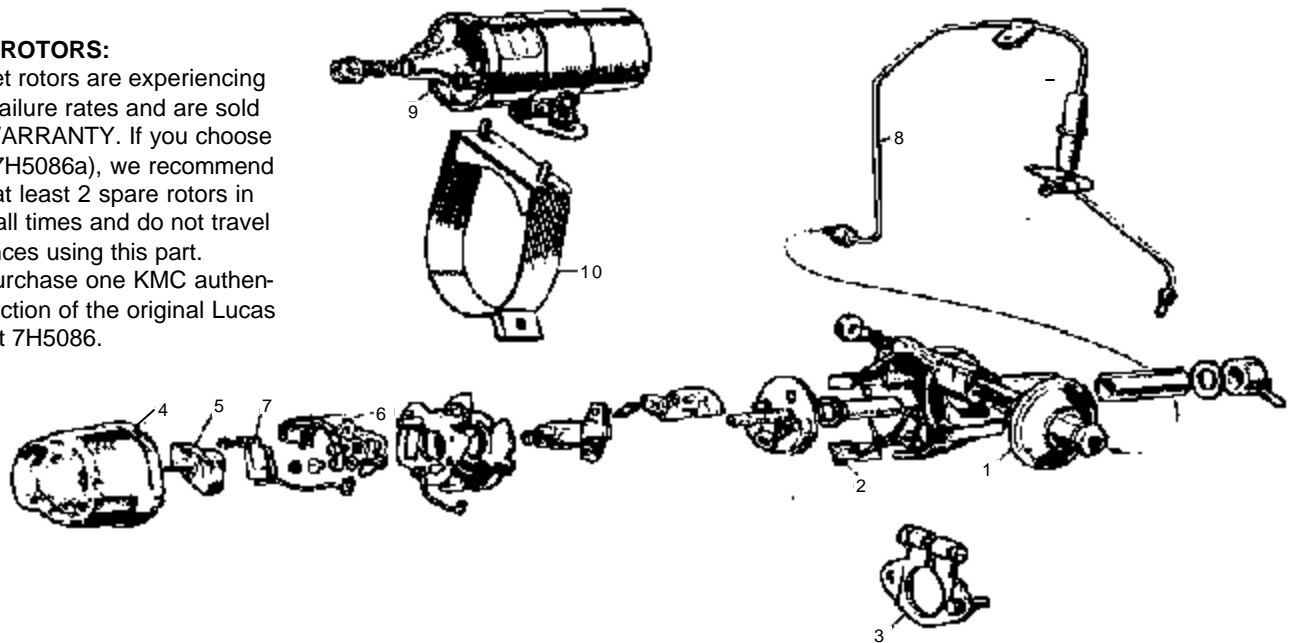
HANDBRAKE

No	Part #	Description	Application	Qty Req	Price Each
1	1H5640	Handbrake lever assy (X)		1	175.45
2	2A5207	Connector		1	14.83
3	2K6930	Clevis pin		3	1.16
4	2A5222	Cable		1	109.73
5	2A5219	Return spring		1	NCA
6	2A5249	Guide (U)		2	8.47
7	1A7766	Link (U)		1	10.29
8	2K5291	Washer, felt		7	1.69
9	2A7059	Lever, support (U)		1	10.29
10	2A7057	Lever, balance (U)		1	9.08
11	UHN490	Lubricator		1	2.73
12	2A7266	Crossrod, long (U)		1	14.52
13	6K689	Pin		2	1.21
14	6K690	Washer, felt		4	1.76
15	1B5329	Ferrule		1	NCA
16	2A7267	Crossrod, short (U)		1	11.50
BAW-1		Brake adjusting wrench (1/4 & 5/16" square ends)			23.30

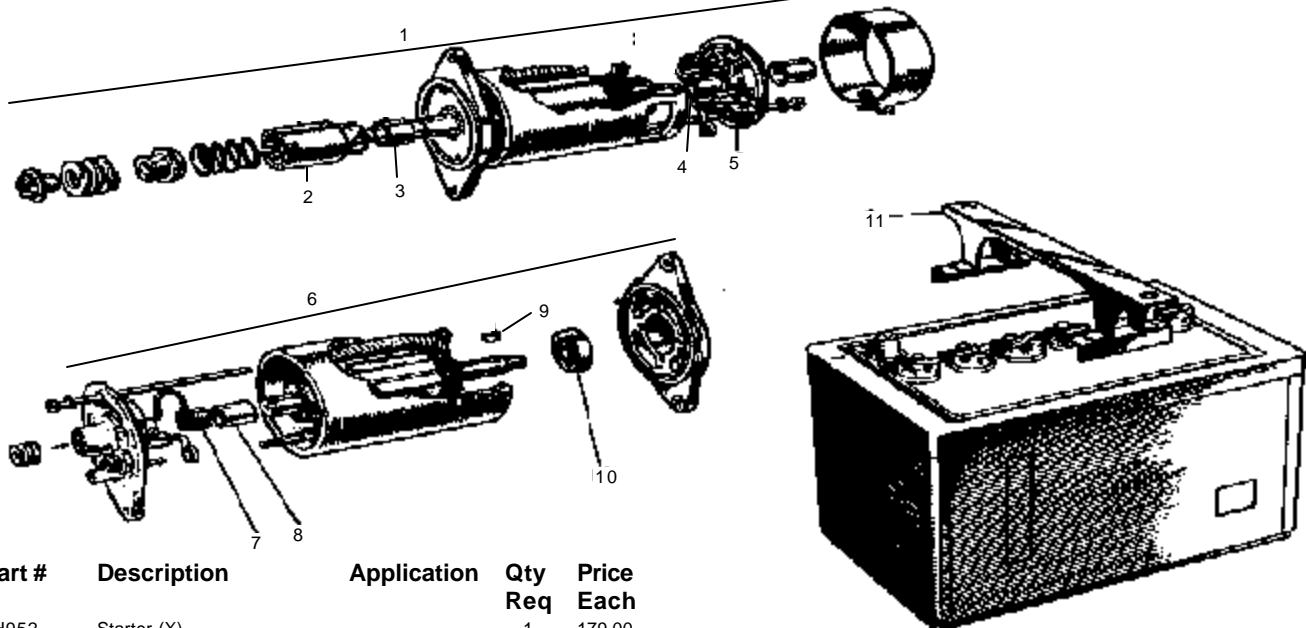
Don't drive without a working handbrake system!

IGNITION ROTORS:

Aftermarket rotors are experiencing very high failure rates and are sold with NO WARRANTY. If you choose this item (7H5086a), we recommend you keep at least 2 spare rotors in the car at all times and do not travel long distances using this part. Instead, purchase one KMC authentic reproduction of the original Lucas rotor ~ part 7H5086.



No	Part #	Description	Application	Qty Req	Price Each	No	Part #	Description	Application	Qty Req	Price Each
	811 0289	Distributor 40284 (X125)	1G prefix	1	325.00	4	811 1094	Distributor cap	540	1	84.10
	811 1707	40438 (X125)	2G prefix	1	295.00		17H5422	Distributor cap	560	1	29.47
	1H807	40499 (X95)	1H prefix	1	265.00	5	7H5086	Rotor arm (Authentic Reproduction)		1	23.90
	1H1100	40600 (X95)	A/C/FNH	1	265.00		7H5086a	Rotor arm (sold with NO WARRANTY)		3	5.15
	811 PWS	Plug wire set		1	32.00	6	811 1098	Contact set	540	1	19.67
1	811 1106	Vacuum unit	540	1	240.19		17H5423	Contact set	560	1	8.29
	47H5555	Vacuum unit	560	1	183.92	7	47H5250	Condenser		1	6.00
2	17H5280	Bush & lead		1	36.12	8	11G75	Vacuum tube		1	89.00
3	3H2138	Clamping plate		1	55.36	9	AMK5611	Coil		1	50.52
						10	12H321	Bracket		1	36.12

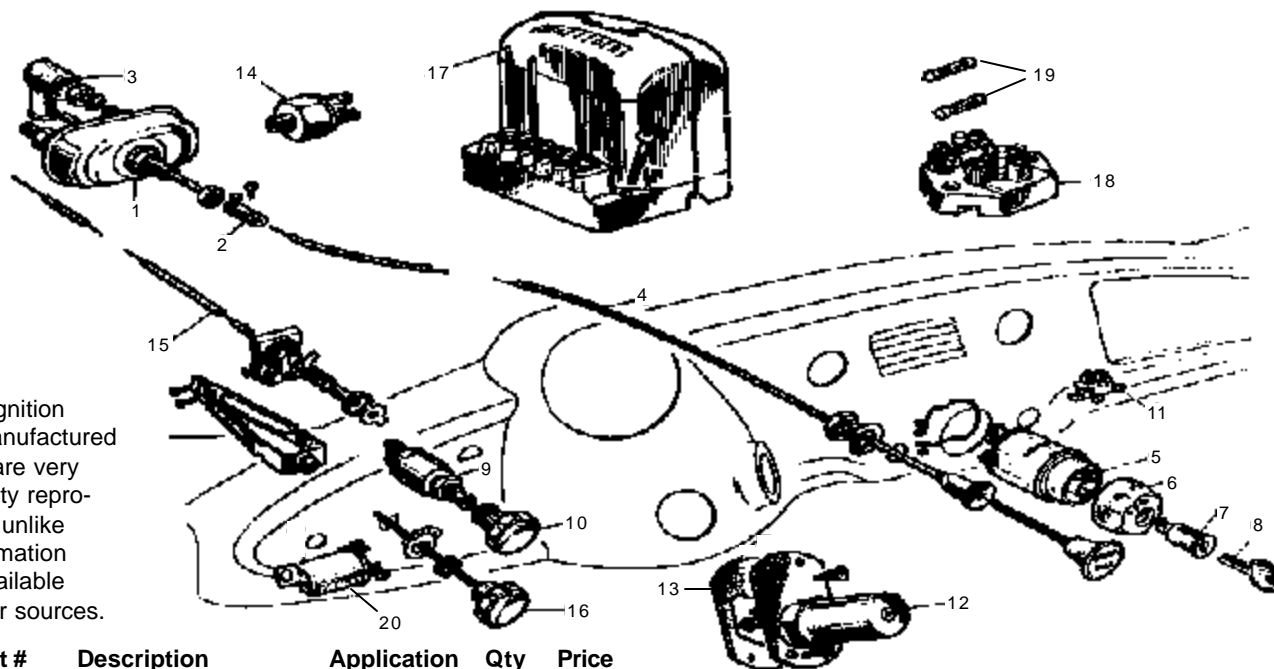


No	Part #	Description	Application	Qty Req	Price Each
11	3H952	Starter (X)		1	179.00
2	7H5046	Drive gear		1	53.19
3	7H5049	Bushing, drive end		1	4.06
4	7H5042	Bushing, commutator end		1	4.18
5	7H5040	Brush set		1	11.80
6	13H219	Generator - 22258 (X65)	540/560	1	195.00
	13H425	Generator - 22700 (X50)	560	1	185.00
7	811 1069	Brush set, generator	22258	1	10.71
	47H5388	Brush set, generator	22700	1	6.36
8	7H5390	Bushing, generator		1	3.94
9	WKN404	Key		1	1.33
10	97H626	Bearing, generator		1	17.85
11	14A9439	Hold down bracket		1	68.75

No	Part #	Description	Application	Qty Req	Price Each
	ALH859	Battery box		1	165.00
	ALH862	Cover, battery box (U)		1	42.00

NOTE: Electrical systems were originally 12 volt positive ground.

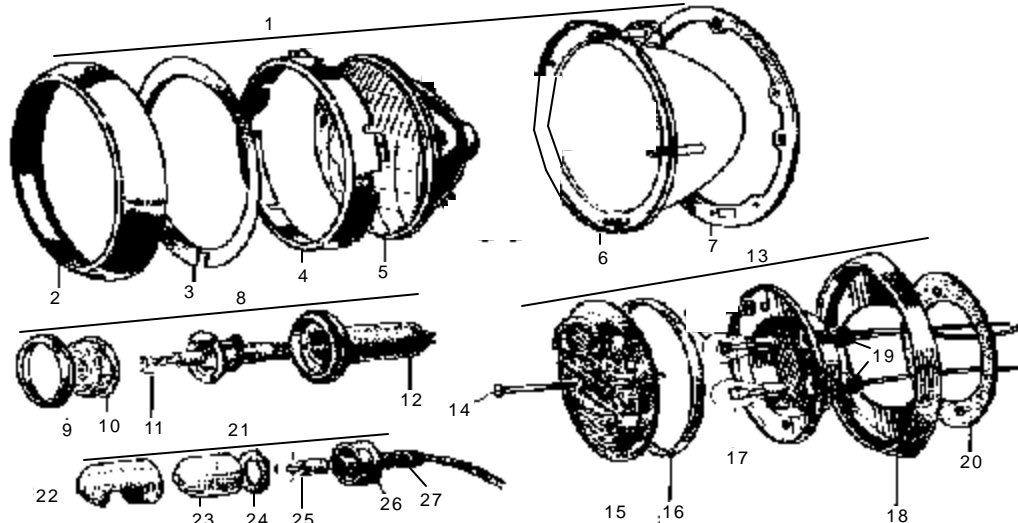
Starters and generators are rebuilt by KMC to demanding standards for long service, unlike cheaper alternatives.



Lighting/ignition knobs manufactured by KMC are very high quality reproductions, unlike those clamation knobs available from other sources.

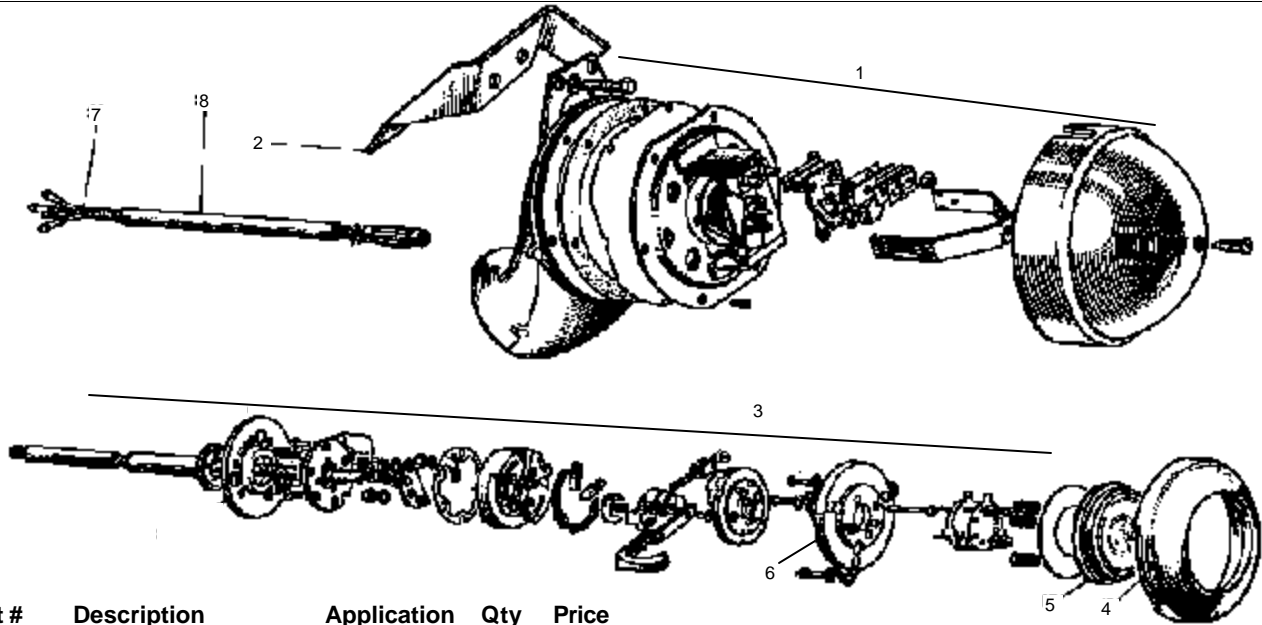
No	Part #	Description	Application	Qty	Price
				Req	Each
1	3H949	Starter switch		1	72.30
2	3H950	Connector		1	10.59
3	8G548	Insulator		2	3.58
4	3H2771	Cable assy, starter		1	84.00
5	17H5212	Lighting/ignition switch		1	163.35
6	3H1558A	Knob, cream		1	31.75
	3H1558	black		1	24.75
7	7H9830	Cylinder w/key		1	13.25
8	811 1283	Key, code cut FA	specify code		16.94
	811 2313	FP	specify code		16.04
9	3H1883	Wiper switch (U)		1	46.59
10	3H2766	Knob, wiper switch		1	32.00

No	Part #	Description	Application	Qty	Price
11	3H3100	Courtesy light switch (U)		1	NCA
12	11G2007	Dip switch		1	81.98
13	11G9122	Gasket		1	8.29
14	3H1894	Stop lamp switch		1	28.44
15	3H2764	Cable assy, heater		1	NCA
16	1G2672	Heater switch assy		1	NCA
	3H2766	Knob, heater switch		1	32.00
17	3H1836	Voltage regulator		1	88.03
18	1G2613	Fusebox		1	94.69
19	7H5067	Fuse, 35A		2	1.88
	7H5540	Fuse, 50A		2	2.00
20	11G9093	Flasher unit		1	33.70



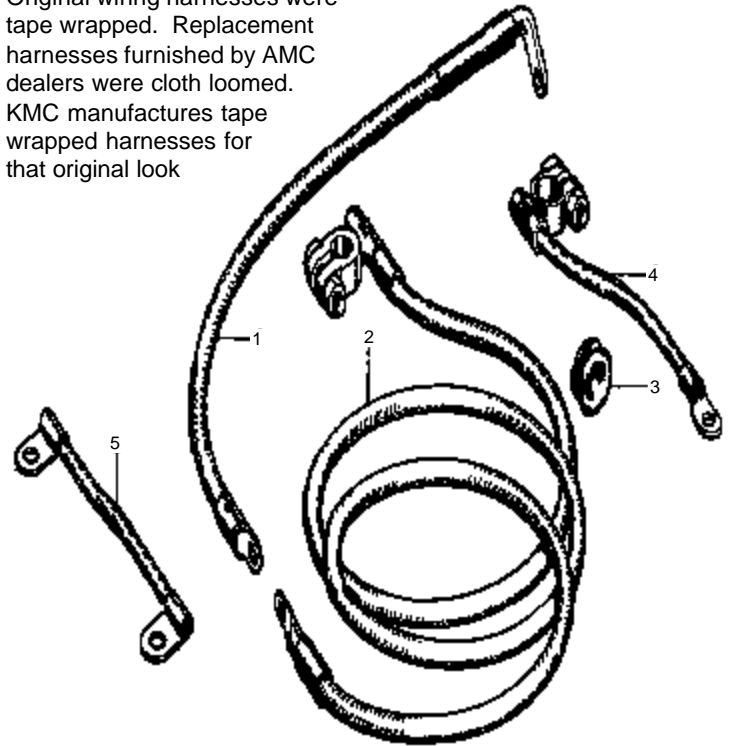
No	Part #	Description	Application	Qty	Price
1	811 0910	Headlamp assy		2	241.70
2	17H5143	Door, headlamp		2	84.40
3	3H2962	Dust excluder		2	8.17
4	17H5205	Retainer		2	20.99
5	3H1893	Headlamp bulb		2	9.26
6	811 1120	Body, headlamp		2	33.58
	14A9422	Grommet, wiring harness/headlamp body		2	10.59
7	3H993	Gasket, headlamp/fender		2	10.84
8	3H3055	Park/signal assy		2	54.03
9	7H5182	Rim		2	11.01
10	AJA5076	Lens		2	17.61
11	1F9026	Bulb		2	1.76
12	37H5476	Body, rubber		2	7.57
13	3H2667	Tail lamp assy (X)		2	235.00
14	3H2823	Screw		2	12.25

No	Part #	Description	Application	Qty	Cost
15	3H2668	Tail lens		2	39.25
16	3H2671	Gasket		2	6.00
17	1F9012	Bulb, signal		2	1.76
	1F9026	Bulb, stop/tail		2	1.76
18	3H2669	Tail bezel		2	32.75
19	573825	Grommet, cable		2	8.95
20	3H2670	Gasket		2	8.78
21	11G9121	License lamp assy		1	155.75
22	17H5207	Cover		1	46.25
23	17H5208	Lens		1	23.75
24	17H5228	Gasket		1	1.16
25	2H4442	Bulb		1	2.85
26	27H5394	Base, license lamp		1	55.00
27	573932	Grommet, cable		1	9.25

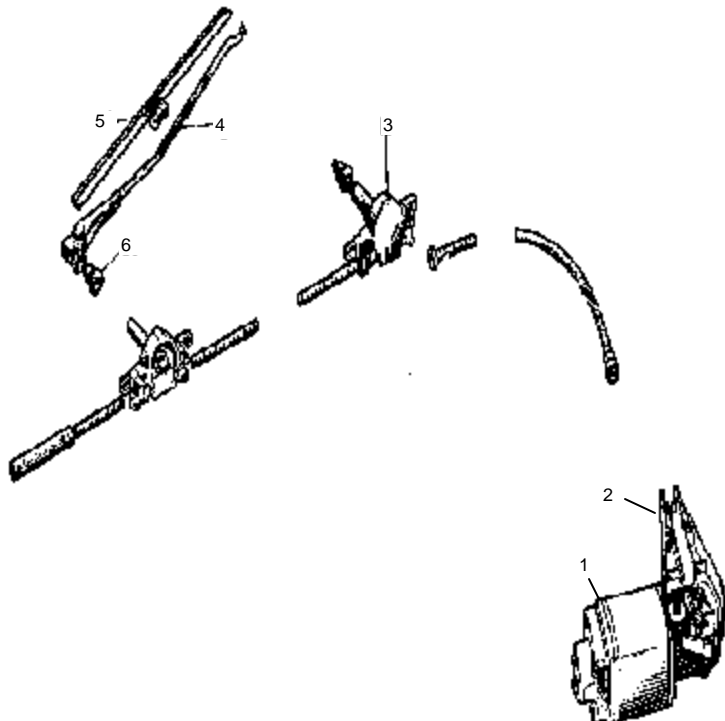


No	Part #	Description	Application	Qty Req	Price Each
1	1B9007	Horn	low note	1	120.40
	1B9008	Horn	high note	1	120.40
2	1G2421	Bracket, RH (U)		1	7.26
	1G2422	Bracket, LH (U)		1	7.26
3	2A6057A	Horn/signal assy (X)	"Nash"	1	199.75
	2A6057	Horn/signal assy (X)	bulls-eye	1	199.75
4	47H5273	Retaining ring		1	46.25
5	811 1450	Horn button	"Nash"	1	56.75
	17H5263	Horn button	bulls-eye	1	54.75
6	330632	Plate, moulding cover support		1	34.00
7	17H5211	Wiring harness		1	48.75
8	2A6058	Stator tube (U)		1	26.62

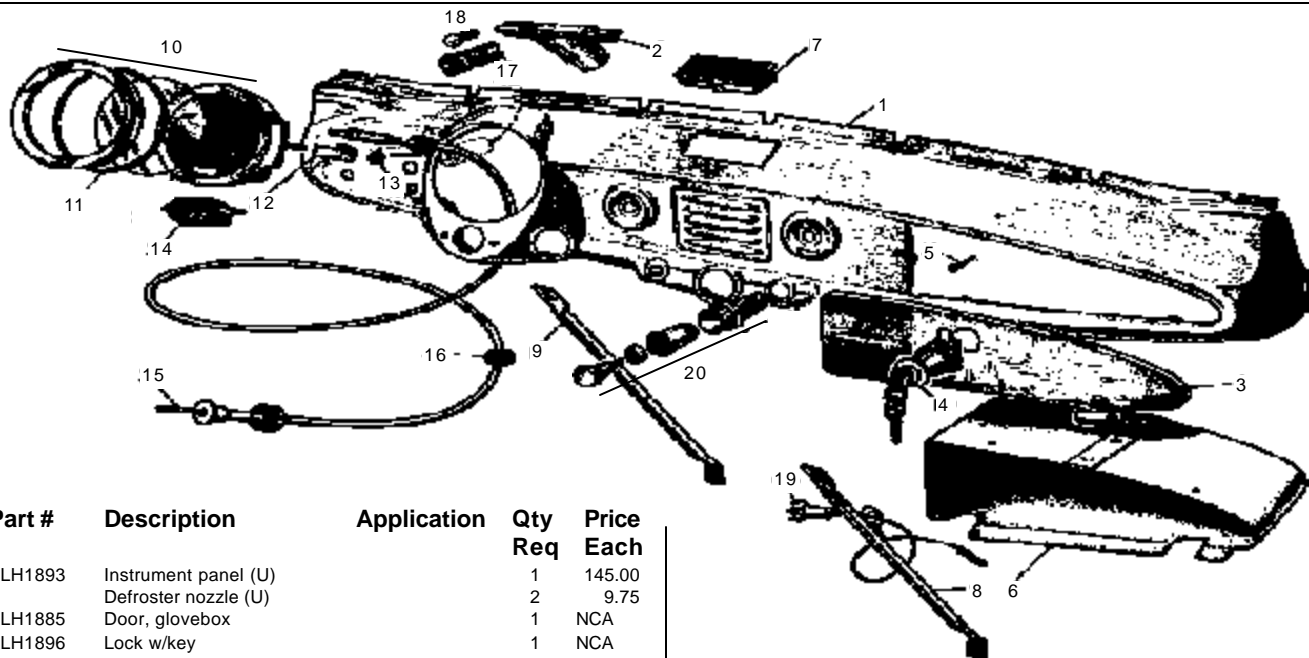
Original wiring harnesses were tape wrapped. Replacement harnesses furnished by AMC dealers were cloth loomed. KMC manufactures tape wrapped harnesses for that original look



No	Part #	Description	Application	Qty Req	Price Each
1	6K461	Cable, switch/starter		1	39.25
2	1G2577	Cable, battery/switch		1	94.75
3	2H2816	Grommet, battery box		1	5.87
4	1G2576	Cable, battery/ground		1	57.18
5	2K6167	Cable, engine/ground		1	17.73
	5L84	Main harness, eng/dash		1	289.00
	811 1166	Horn harness, horn/horn		1	36.00
	3H2947	Body harness, main/tail		1	94.75
	17H5278	Panel light harness		1	25.75
	811 1167	Headlamp harness		2	19.75
	811 1168	Dip switch harness		1	21.00
	811 LLH1	License lamp harness		1	25.25
	811 STH1	Stop/tail harness		2	19.75
	811 TSH1	Tail/signal harness		2	11.00
	LUC2E	Single connector		A/R	1.40
	LUC4E	Double connector		A/R	1.76
	LUCGC	Ground connector		2	6.36



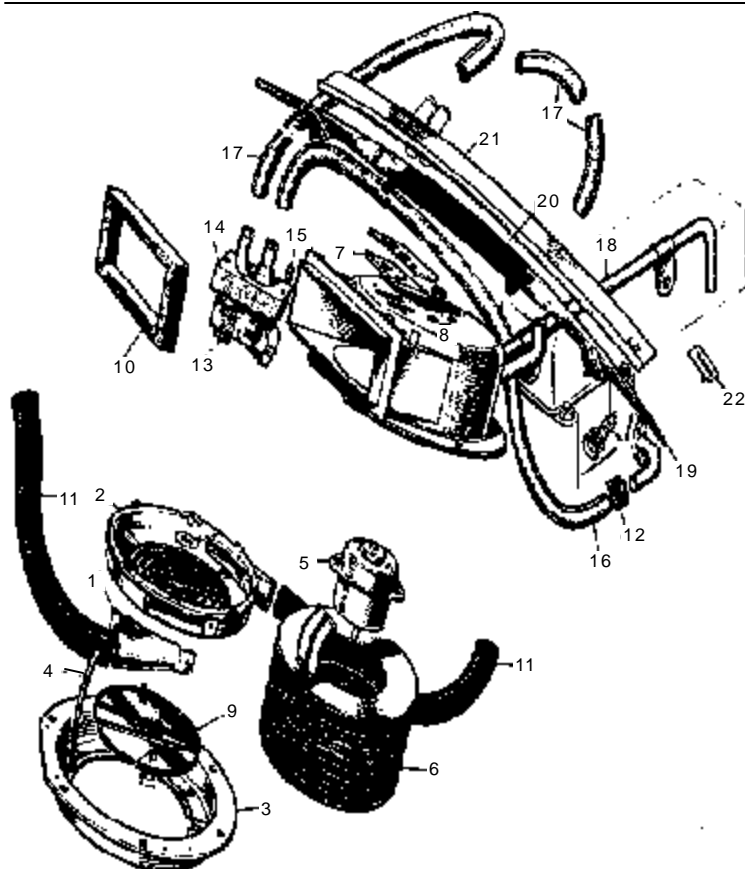
No	Part #	Description	Application	Qty Req	Price Each
1	14G2404	Wiper motor (X95)		1	195.00
2	27H5465	Gearbox (X25)		1	54.00
3	47H5502A	Wheelbox/cable assy (X25)		1	54.00
4	47H5265	Wiper arm		2	60.32
5	14A9421	Wiper blade		2	18.58
6	14A9422	Grommet		2	11.85



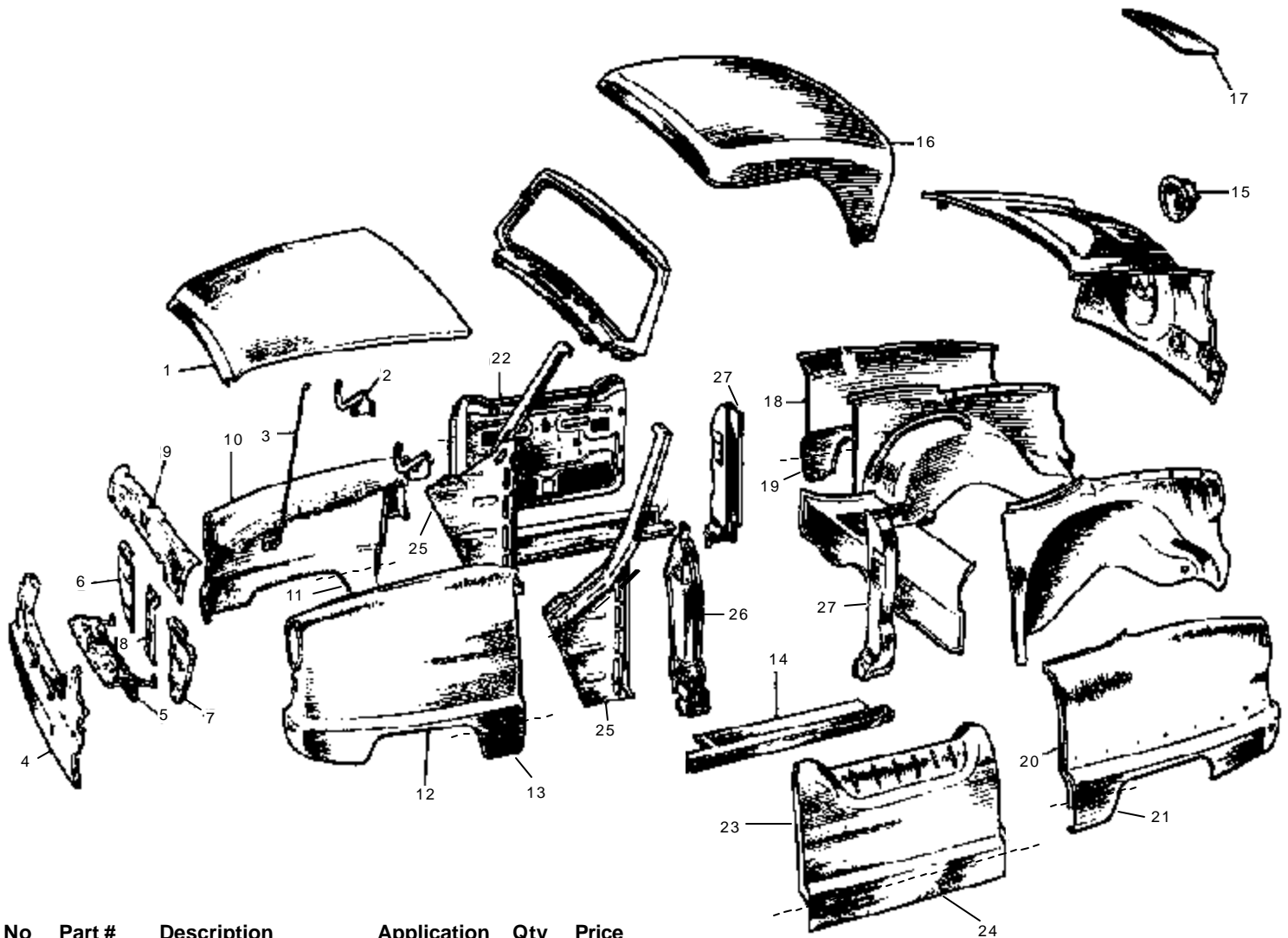
No	Part #	Description	Application	Qty Req	Price Each
1	ALH1893	Instrument panel (U)		1	145.00
	ALH865	Defroster nozzle (U)		2	9.75
3	ALH1885	Door, glovebox		1	NCA
4	ALH1896	Lock w/key		1	NCA
5	ALH1897	Bumper, rubber		2	3.58
6	ALH2497	Glovebox		1	39.75
7	14A9443	Ashtray		1	NCA
8	14A9438	Brace, RH (U)		1	7.26
9	14A9437	Brace, LH (U)		1	7.26
10	11G9145	Speedometer, MPH		1	129.00
	11G9147	Speedometer, KPH		1	105.00
11	17H668	Gasket		1	7.57
12	27H1296	Clamp		2	4.84
13	17H1304	Nut		2	3.45
14	3H2822	Fuel gauge, instrument panel		1	42.75
15	17H1782	Cable, speedometer	-E11000	1	89.00
	1H9047	Cable, speedometer	E11001-	1	31.16
16	RFN405	Grommet		1	5.27
17	3H2765	Signal indicator assy		1	27.85
18	2H4732	Bulb, screw base		7	1.88

No	Part #	Description	Application	Qty Req	Price Each
19	1G2596	Courtesy light assy		1	19.85
20	811 2128	Cigar lighter assy	-E34076	1	59.75
	11G9133	Cigar lighter assy	E34077-	1	59.75

A faulty or inoperative fuel gauge is almost never due to the dash unit. See tank units on page 10.

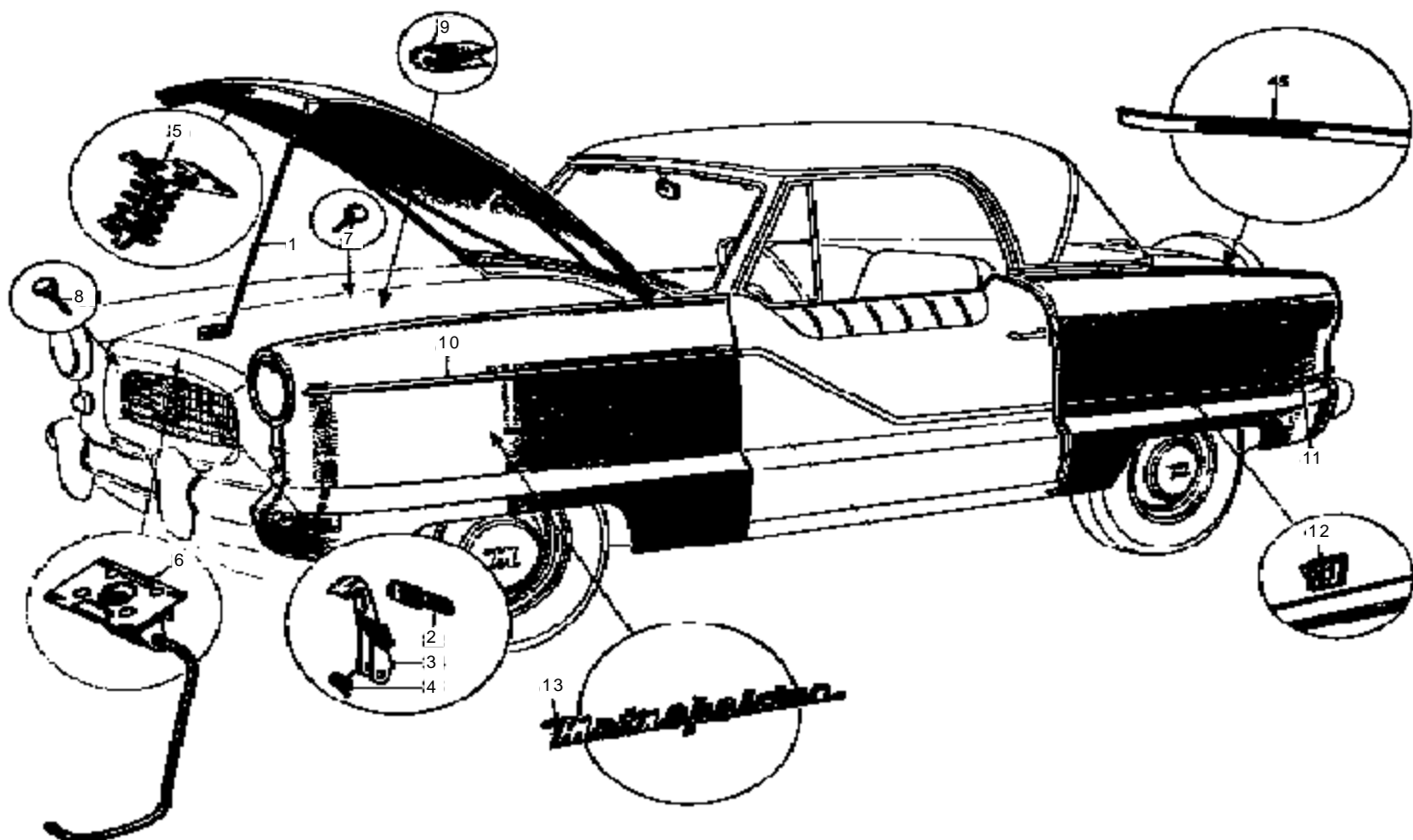


No	Part #	Description	Application	Qty Req	Price Each
	14A9400	Heater assy (X65)		1	255.00
	CP302	ID plate, heater		1	6.48
1	27H1226	Defroster nozzle (U)		2	12.75
2	27H1239	Front cover (U)		1	26.00
3	27H1225	Shroud, rubber		1	129.75
4	27H596	Clip (U)		3	8.17
5	17H1487	Motor (X20)		1	95.00
6	27H1240	Heater core		1	NCA
7	27H1229	Seal		1	4.79
8	27H1232	Grommet		3	3.33
9	27H1237	Door assy (U)		1	26.00
10	14A9418	Gasket		1	22.69
11	14A9405	Defroster duct		2	15.43
12	8G518	Clamp		7	3.21
13	2A9007	Control valve (X35)		1	129.75
14	3H2827	Seal		1	9.38
15	3H2828	Spacer		2	2.73
16	1G2921	Hose, elbow/valve		1	7.08
17	1G2268	Hose, valve/heater & heater/pipe		2	6.00
18	1G2918	Return pipe, copper (U)		1	38.72
19	ALH868	Cowl vent (U)		1	185.00
20	ALH1479	Screen		1	19.25
21	ALH1477	Weatherstrip, cowl		1	15.43
22	ALA4468	Clip		8	1.21
	ALA4468	Clip		8	1.21

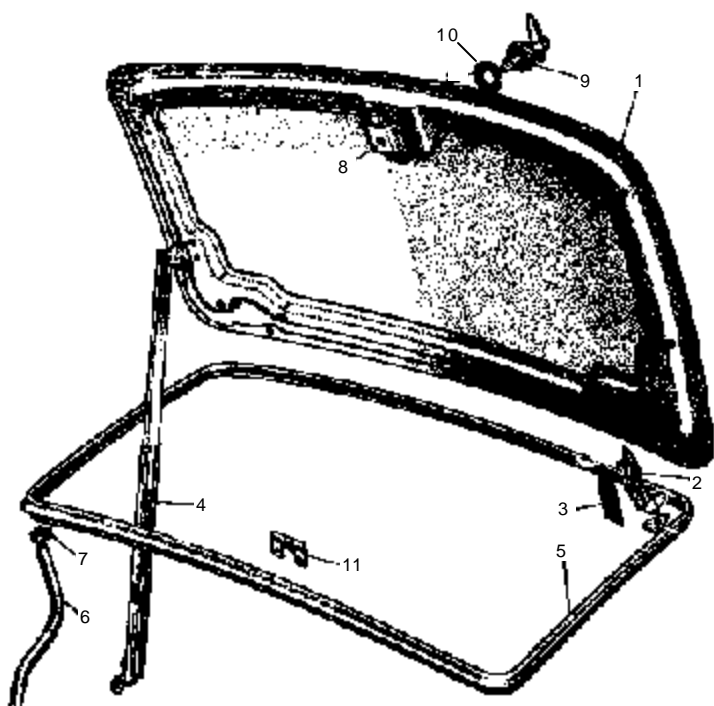


No	Part #	Description	Application	Qty Req	Price Each
	ALH511A	Floor pan, front left		1	215.00
	ALH511B	Floor pan, front right		1	215.00
	ALH511C	Floor pan, rear left		1	298.00
	ALH511D	Floor pan, rear right		1	298.00
	ALH511E	Floor Pan, front hump		1	445.00
	ALH511F	Repair Section, front seat riser		1	485.00
	ALH511G	Repair Section, handbrake bracket		1	185.00
1	811 0823	Hood (U)	540	1	375.00
	ALH479	Hood (U)	560	1	375.00
	811 0682	Grille, hood scoop	540	1	255.00
2	ALH482	Hinge, right (U)		1	32.00
	ALH483	Hinge, left (U)		1	32.00
3	ALH493	Prop assy (U)		1	26.00
4	811 0780	Front valance (U)	540	1	185.00
	ALH488	Front valance (U)	560	1	175.00
5	ALH489	Air baffle, lower (U)		1	21.00
6	ALH490	Air baffle, right (U)		1	14.00
7	ALH491	Air baffle, left (U)		1	14.00
8	ALH492	Center support (U)		1	18.00
9	ALH500	Air baffle, upper (U)		1	32.00
10	ALH484	Fender, front right (U)		1	295.00
11	ALH484A	Repair panel, front right fender		1	135.00
12	ALH485	Fender, front left (U)		1	295.00
13	ALH485A	Repair section, front left fender		1	135.00
14	ALH636	Sill, left or right		2	99.00
	ALH636A	Sill Assembly, left inner (not shown)		1	299.00
	ALH636B	Sill Assembly, right inner (not shown)		1	299.00

No	Part #	Description	Application	Qty Req	Price Each
15	2A5227	Bracket (U)		1	28.00
16	ALH474	Roof assy (U)	542/562	1	165.00
17	ALH2540	Trunk lid (U)		1	155.00
18	ALH714	Fender, rear right (U)		1	195.00
19	ALH714A	Repair section, rear right fender		1	135.00
20	ALH715	Fender, rear left (U)		1	195.00
21	ALH715A	Repair section, rear left fender		1	135.00
22	811 0812	Door, right (U)	-E48847	1	195.00
	811 2604	Door, right (U)	E48848- no vent	1	195.00
	ALH2860	Door, right (U)	560 w/vent	1	195.00
23	811 0811	Door, left (U)	-E48847	1	195.00
	811 2603	Door, left (U)	E48848- no vent	1	195.00
	ALH2861	Door, left (U)	560 w/vent	1	195.00
24	ALH2861A	Repair section, door bottom - left or right	All	2	95.00
25	ALH642A	Windshield pillar repair section, right side	All	1	135.00
	ALH643A	Windshield pillar repair section, left side	All	1	135.00
26	ALH630A	Hinge Pillar repair section - right	All	1	398.00
	ALH631A	Hinge Pillar repair section - left	All	1	398.00
27	ALH2490A	Lock Pillar repair section - right	All	1	398.00
	ALH2491A	Lock Pillar repair section - left	All	1	398.00

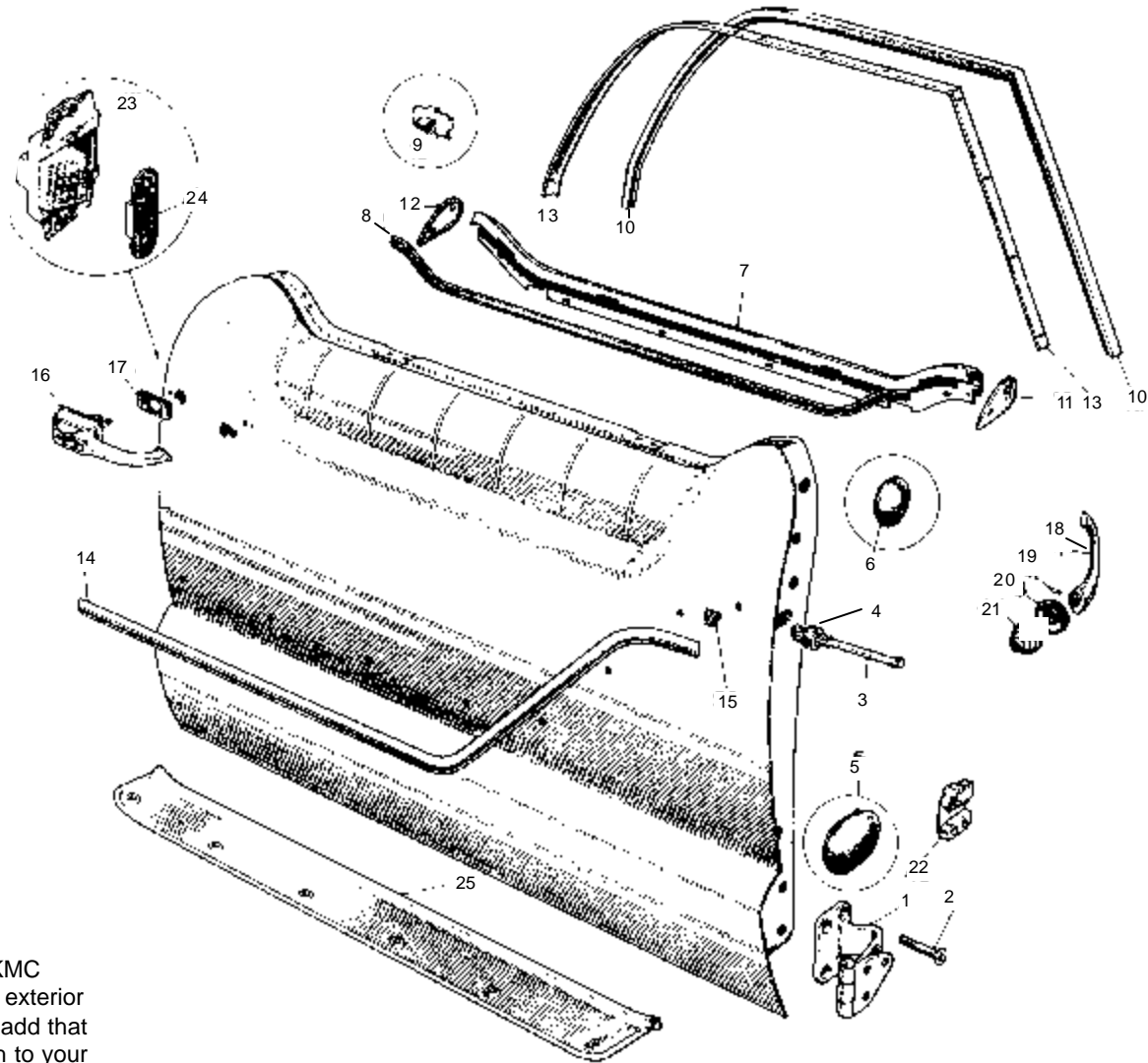


No	Part #	Description	Application	Qty Req	Price Each	No	Part #	Description	Application	Qty Req	Price Each
1	ALH493	Prop assy (U)		1	21.78	8	ALH1472	Bumper, front		2	2.61
2	ALH1468	Clip		1	11.80	9	2H9215	Stop, hood prop		1	3.94
3	ALH1475	Safety catch		1	43.87	10	ALH1572	Moulding, front	560	1	NCA
4	ALH1476	Spring		1	8.17	11	ALH1576	Moulding, rear	560	2	NCA
5	ALH1469	Lock assy, upper (U)		1	19.36	12	ALH2897	Clip, moulding	560	34	1.20
6	313 4006	Lock assy, lower (U)	540	1	18.15		811 1934	Bolt, moulding	560	14	1.20
7	ALH1471	Lock assy, lower (U)	560	1	19.36		ALH716	Beading, fender joint		2	22.69
	ALH1473	Bumper, side		12	1.20	13	ALH1474	Fenderscript		1	48.35



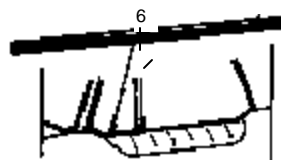
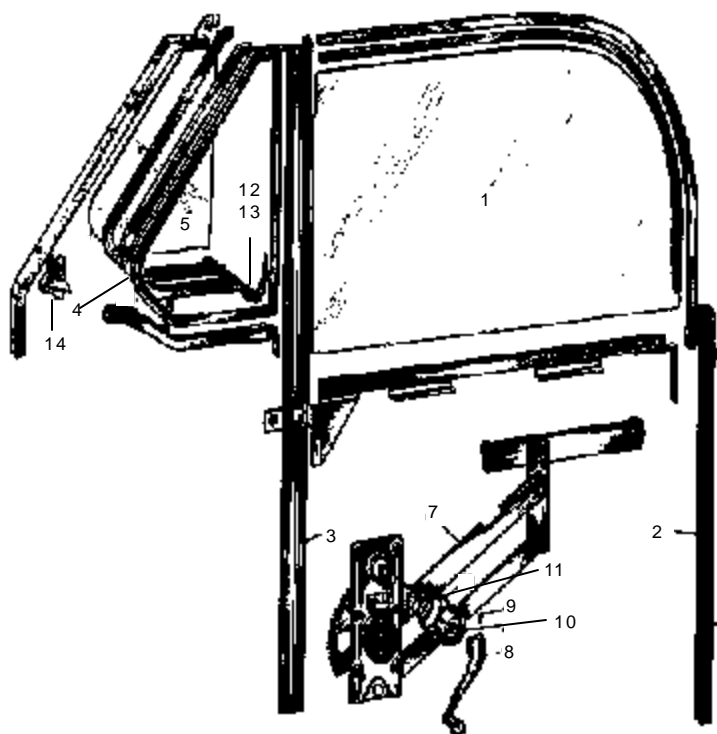
Trunk (Boot)

No	Part #	Description	Application	Qty Req	Price Each
1	ALH2540	Trunk lid (U)		1	102.85
2	ALH2868	Hinge set, left & right		1	167.75
3	ALH2577	Gasket set, hinge		1	4.54
4	14G8643	Prop assy		1	42.66
5	ALH2556	Weatherstrip		1	83.80
6	ALH2576	Drain tube		2	9.02
7	3H688	Hose clamp		2	2.37
8	ADA513	Lock assy		1	35.04
9	ALH2573	Trunk handle w/key		1	86.90
10	ALA2466	Gasket		1	2.00
11	ALH2555	Striker plate		1	34.79

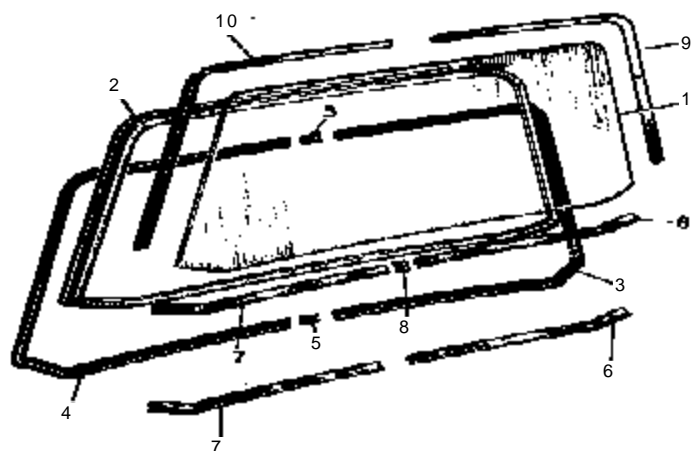


High quality KMC manufactured exterior door handles add that finishing touch to your restoration

No	Part #	Description	Application	Qty Req	Price Each	No	Part #	Description	Application	Qty Req	Price Each
1	ALH768	Hinge, right (U)		2	175.45	14	ALH1574	Moulding, right (U)	560	1	NCA
	ALH769	Hinge, left (U)		2	175.45		ALH1575	left (U)	560	1	NCA
2	RMZ0514	Screw		28	2.37	15	ALH2897	Clip, side moulding	560	34	1.20
3	ALH1517	Check strap		2	60.20		811 1934	Bolt, side moulding	560	14	1.20
4	ALH1517A	Rubber rebound		2	6.96	16	811 1538	Door handle, left	-E48847	1	130.08
5	ALH1515	Plug, lower		4	9.99		811 1539	Door handle, right		1	130.08
6	ALH1516	Plug, upper		4	2.37		811 1538A	retainer, door handle		2	21.18
7	ALH1540	Moulding, right (U)		1	11.50		811 1538B	button		2	21.18
	ALH1541	Moulding, left (U)		1	11.50		ALH2476	Door handle	E48848-	2	129.78
8	ALH1544	Weatherstrip, inner & outer		4	15.43		ALH2476A	button		2	45.08
9	ALH1550	Clip, weatherstrip		8	NCA	17	811 0606	Gasket set	-E48847	1	22.09
10	ALH2870	Roof rail seal		2	24.15		ALH2466	Gasket set	E48848-	1	22.69
11	ALH1546	Finish plate, front right		1	17.25	18	ALH1526	Door handle		2	24.15
	ALH1547	front left		1	17.25	19	ALH1527	Pin		2	1.88
12	ALH1548	Finish plate, rear right		1	17.25	20	ALH1528A	Escutcheon, cream	540	2	9.50
	ALH1549	rear left		1	17.25		ALH1528	black	560	2	3.70
13	ALH1510	Retainer, right (U)	hntp	1	35.09	21	ALH1529	Spring		2	3.21
	ALH1511	left (U)	hntp	1	35.09	22	811 0652	Striker plate, left (U)	-E48847	1	38.72
	ALH1636	Retainer, front right (U)	cvt	1	21.78		811 0653	right (U)	-E48847	1	35.09
	ALH1637	front left (U)	cvt	1	21.78		ALH2463	Striker plate, left	E48848-	1	46.77
	ALH1632	Retainer, center right (U)	cvt	1	21.78		ALH2462	right	E48848-	1	46.77
	ALH1633	center left (U)	cvt	1	21.78	23	ALH1566	Take up assy (U)	541/561	2	NCA
	ALH1634	Retainer, rear right (U)	cvt	1	21.78	24	ALH1561	Contact member	541/561	2	16.04
	ALH1635	rear left (U)	cvt	1	21.78	25	ALH1567	Scuff plate (U)		2	NCA

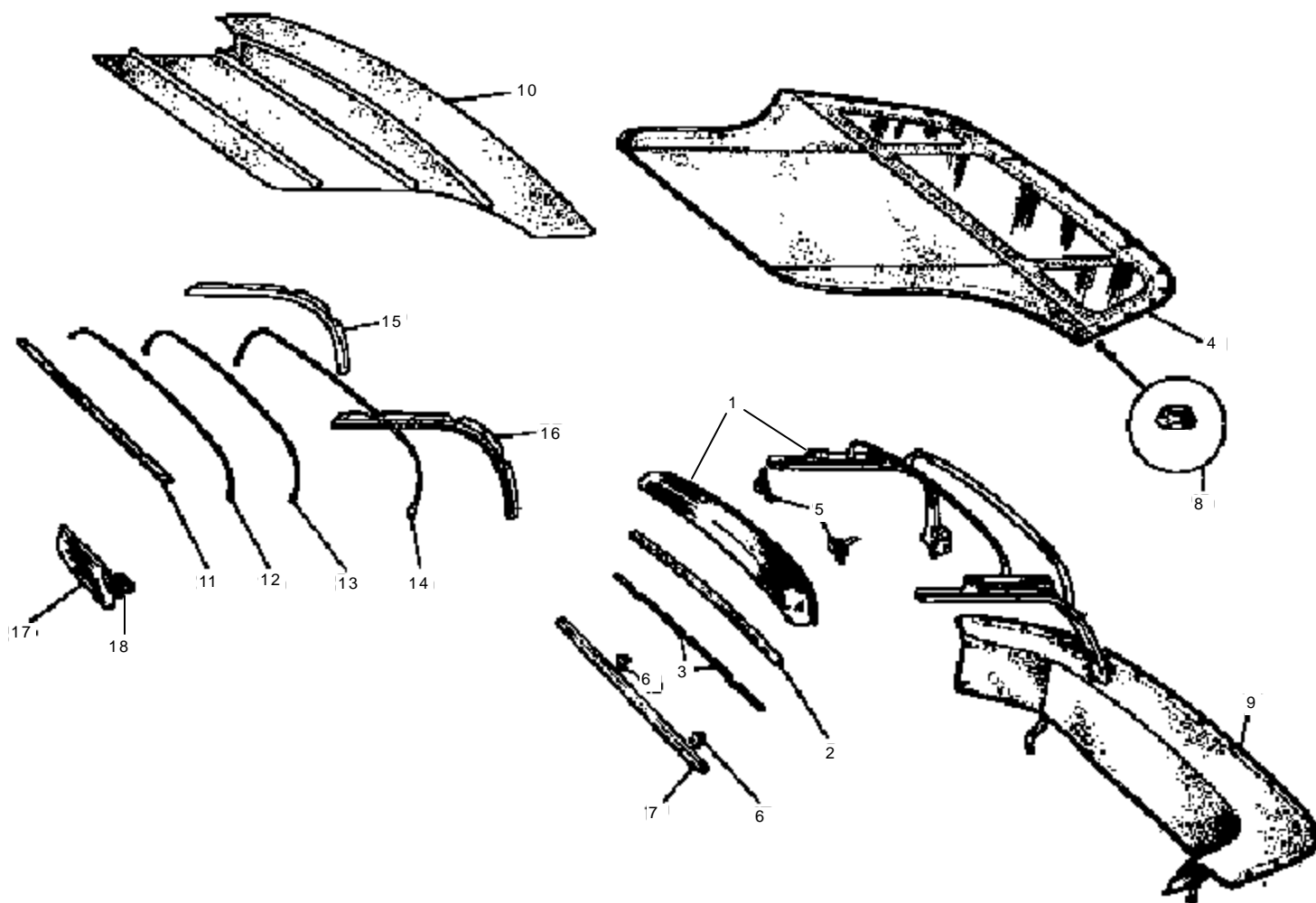


No	Part #	Description	Application	Qty	Price
				Req	Each
1	811 0651	Glass, door*	no vent	2	82.28
	ALH2592	Glass, door*	w/vent	2	71.39
2	ALH1514	Slide channel		A/R	50.52
	811 GSL1	Liner, slide channel		A/R	7.57
3	37H9713	Liner, vent slide		2	19.18
4	37H9516	Weatherstrip, vent (pair)		1	175.45
5	37H9518	Glass, vent		2	35.09
6	ALH2628	Seal, door/vent		2	6.00
7	811 0654	Regulator, left (X)	no vent	1	211.75
	811 0655	right (X)	no vent	1	211.75
	ALH2589	Regulator, left (X)	w/vent	1	151.25
	ALH2588	right (X)	w/vent	1	151.25
8	ALH1523	Handle		2	27.17
	ALH1523A	Handle, cream knob		2	32.07
9	ALH1527	Pin		2	1.88
10	ALH1528A	Escutcheon, cream	540	2	9.50
	ALH1528	black	560	2	3.70
11	ALH1530	Spring		2	3.21
12	27H9998	Handle, vent window locking RH		1	42.90
	27H9999	Handle, vent window locking LH		1	42.90
13	27H9998A	Pivot Bracket, vent window handle RH		1	53.90
	27H9999A	Pivot Bracket, vent window handle LH		1	53.90
14	37H9911	Block, vent window corner	w/vent	2	26.32



No	Part #	Description	Application	Qty	Price
				Req	Each
1	ALH2648	Glass, windshield*		1	142.78
2	811 0617	Weatherstrip	3 pc trim	1	68.07
	ALH2650	Weatherstrip	2 pc trim	1	62.32
3	811 0618	Reveal moulding, up left (U)	3 pc trim	1	23.60
	811 0619	upper right (U)	3 pc trim	1	23.60
	811 0620	Reveal moulding, lower (U)	3 pc trim	1	23.60
4	ALH2652	Reveal moulding, right (U)	2 pc trim	1	58.08
	ALH2653	left (U)	2 pc trim	1	58.08
5	811 0621	Clip, upper center (U)	3 pc trim	1	14.22
	811 0622	Clip, lower corner (U)	3 pc trim	2	23.30
	ALH2654	Clip (U)	2 pc trim	2	13.62
6	ALH1492	Finish moulding, lwr right (U)		1	16.94
7	ALH1493	lower left (U)		1	16.94
8	ALH1497	Clip, finish moulding		1	19.67
9	ALH1498	Finish moulding, up right (U)		1	14.52
10	ALH1499	upper left (U)		1	14.52
11	811 0623	Glass, 3 pc center (U)*	-E13619	1	235.95
	811 2028	Glass, 3 pc center (U)*	E13620-	1	235.95
	811 0624	Glass, 3 pc left (U)*	-E13619	1	58.08
	811 2039	Glass, 3 pc left (U)*	E13620-	1	58.08
	811 0625	Glass, 3 pc right (U)*	-E13619	1	58.08
	811 2040	Glass, 3 pc right (U)*	E13620-	1	58.08
	ALH2450	Glass, 1 pc (U)*	E46164-	1	356.95
12	811 0626	Weatherstrip, 3 pc	-E13619	1	199.65
	811 1962	Weatherstrip, 3 pc	E13620-	1	175.45
	ALH2451	Weatherstrip, 1 pc	E46164-	1	160.93
13	811 0627	Reveal moulding, rear left (U)	-E11000	1	19.36
	811 0628	rear right (U)	-E11000	1	19.36
	ALH1584	Reveal moulding (U)	E11001-	1	26.62
	811 0629	Partition moulding (U)	-E13619	2	16.94
	811 1932	Partition moulding (U)	E13620-	2	18.15
14	ALH1590	Belt moulding, rear right (U)		1	25.41
15	ALH1591	rear left (U)		1	25.41
16	ALH1589	Clip, belt moulding (U)		1	22.69
17	ALH1592	Retainer, belt moulding		14	4.54
18	ALH1593	Retainer, belt moulding - center		1	4.79
19	ALH1594	Finishing clip, right	E13620-	1	28.74
20	ALH1595	left	E13620-	1	28.74
21	ALH1596	Finish moulding, right (U)		1	14.83
22	ALH1597	left (U)		1	14.83
23	ALH1598	Clip, finish moulding		1	14.22
24	RTP808	Screw		9	0.67
25	98G624	Finishing washer		9	0.55
	121-8810	Urethane auto glass sealant (black)		10 oz	23.30
		(for finishing front & rear windshield installations)			

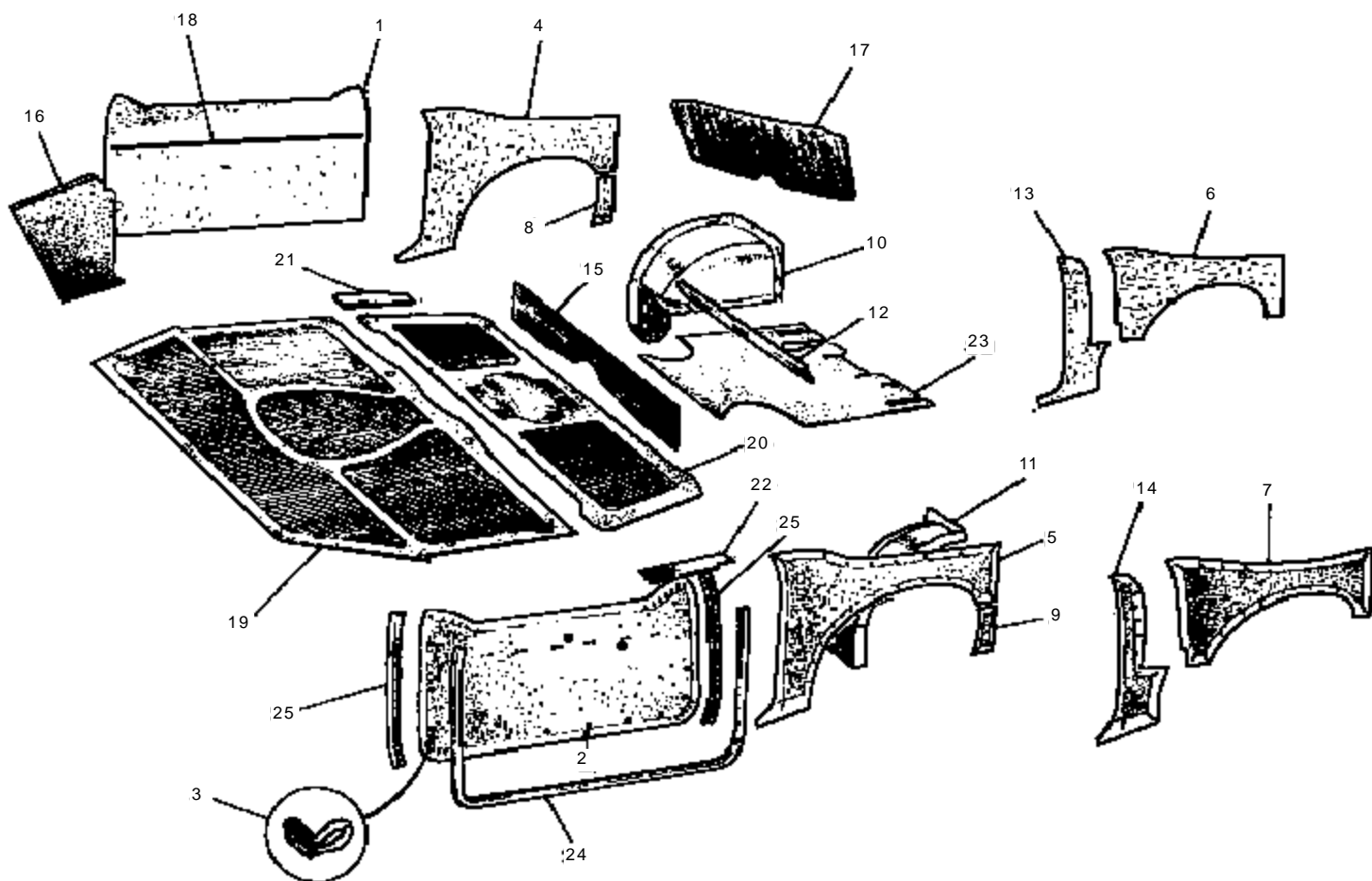
*All glass incurs a \$50 crate charge to protect during shipment. Shipped UPS Ground.



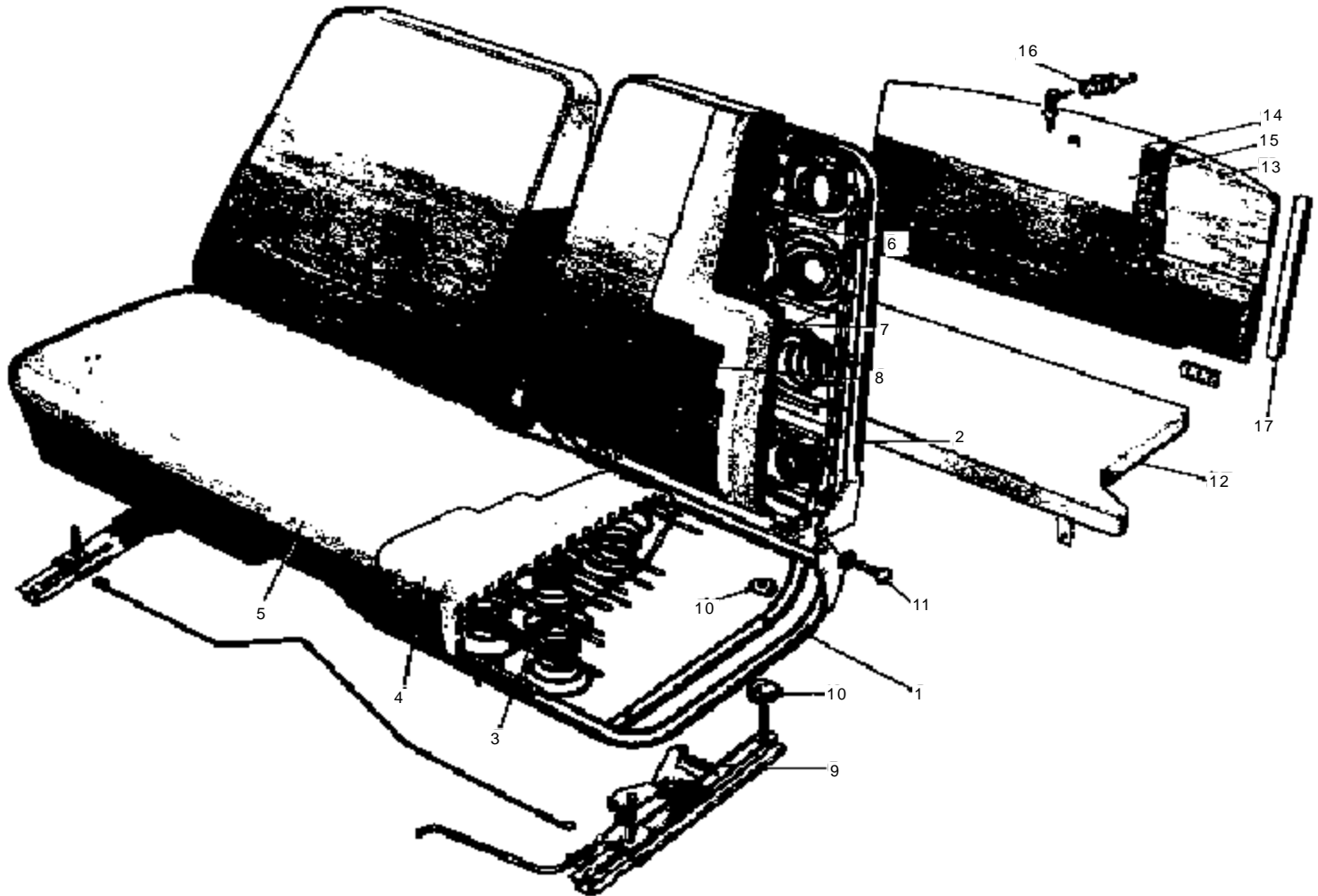
No	Part #	Description	Application	Qty Req	Price Each
	811 1255	Bolt, rear bow/top frame		2	34.79
	811 1257	Bolt, cvt frame/body pillar		2	34.79
1	ALH2883	Top frame assy	-E71275	1	3184.50
	ALH2889	Top frame assy	E71276-	1	3184.50
2	ALH1601	Top seal		1	18.46
3	ALH858	Seal retainer		2	20.88
4	811 1277	Convertible top, black	541 single window	1	432.58
	811 1278	tan	541 single window	1	485.85
	ALH1604	black	561 triple window	1	419.27
	ALH1604A	white	561 triple window	1	419.27
5	ALH1625	Toggle		2	187.55
5	ALH1628	Catch		2	56.27
7	ALH1629	Header seal		1	21.60
8	17H9962	Snap		15	1.20
9	ALH1813	Top cover, black		1	163.35
	ALH1813A	tan		1	175.45
	ALH1813B	white		1	163.35

No	Part #	Description	Application	Qty Req	Price Each
10	ALH2701	Headlining		1	87.12
11	ALH1504	Listing wire, front		1	29.95
12	ALH1505	# 1 (U)		1	15.13
13	ALH1506	# 2 (U)		1	15.13
14	ALH1507	# 3 (U)		1	15.13
15	ALH856	Retainer, right (U)		1	31.46
16	ALH857	left (U)		1	31.46
17	ALH1501	Sunvisor		2	48.10
18	ALH1501A	Base Plate, sunvisor bracket		2	27.53

High quality KMC convertible tops have stitched-in windows as original. Beware of cheaper, heat seamed window alternatives.
 *Tops are shipped with snaps for local installation to ensure perfect alignment to your snap studs on vehicle.



No	Part #	Description	Application	Qty	Price	No	Part #	Description	Application	Qty	Price
				Req	Each					Req	Each
	811 PK1	Panel kit	541	1	477.95	11	811 1349	Wheelhouse cover, left	540	1	57.48
	811 PK2	Panel kit	542	1	453.75		811 2212	Wheelhouse cover, left	560 no vent	1	54.45
	811 PK3	Panel kit	561 no vent	1	441.65		ALH2769	Wheelhouse cover, left	560 w/vent	1	54.45
	811 PK4	Panel kit	562 no vent	1	393.25	12	811 1346	Belt rail trim	541	1	37.82
	811 PK5	Panel kit	561 w/vent	1	441.65		811 2211	Belt rail trim	561 no vent	1	36.30
	811 PK6	Panel kit	562 w/vent	1	393.25		ALH2697	Belt rail trim	561 w/vent	1	36.30
NOTE: Panel kits include all interior panels, clips & screws required for one car.											
1	811 1337	Door panel, right	540	1	90.75	13	811 1343	Pillar trim, right	541	1	30.25
	811 2203	Door panel, right	560 no vent	1	81.07		811 2195	Pillar trim, right	561 no vent	1	29.04
	ALH2740	Door panel, right	560 w/vent	1	81.07		ALH2760	Pillar trim, right	561 w/vent	1	29.04
2	811 1336	Door panel, left	540	1	90.75	14	811 1342	Pillar trim, left	541	1	30.25
	811 2202	Door panel, left	560 no vent	1	81.07		811 2194	Pillar trim, left	561 no vent	1	29.04
	ALH2741	Door panel, left	560 w/vent	1	81.07		ALH2761	Pillar trim, left	561 w/vent	1	29.04
3	ALH1753	Clip		24	1.03	15	811 1351	Heelboard trim	540	1	32.67
4	811 1339	Quarter panel, right	542	1	50.82		811 2209	Heelboard trim	561 no vent	1	30.86
	811 2199	Quarter panel, right	562 no vent	1	45.98		ALH2766	Heelboard trim	561 w/vent	1	30.86
	ALH2748	Quarter panel, right	562 w/vent	1	45.98	16	811 1335	Cowl trim, right	540	1	32.67
5	811 1338	Quarter panel, left	542	1	50.82		811 2192	Cowl trim, right	560 no vent	1	30.25
	811 2198	Quarter panel, left	562 no vent	1	45.98		ALH2850	Cowl trim, right	560 w/vent	1	30.25
	ALH2749	Quarter panel, left	562 w/vent	1	45.98		811 1334	Cowl trim, left	540	1	32.67
6	811 1341	Quarter panel, right	541	1	45.98		811 2191	Cowl trim, left	560 no vent	1	30.25
	811 2201	Quarter panel, right	561 no vent	1	44.77		ALH2851	Cowl trim, left	560 w/vent	1	30.25
	ALH2750	Quarter panel, right	561 w/vent	1	44.77	17	ALH2674	Trunk lid trim	560 w/trunk lid	1	18.76
7	811 1340	Quarter panel, left	541	1	45.98	18	811 1157	Moulding	540	2	NCA
	811 2200	Quarter panel, left	561 no vent	1	44.77		811 2289	Moulding	560 no vent, right	1	NCA
	ALH2751	Quarter panel, left	561 w/vent	1	44.77		811 2288	Moulding	560 no vent, left	1	NCA
8	811 1348	Strainer trim, right	540	1	13.92		ALH2623	Moulding	560 w/vent	2	NCA
	811 2197	Strainer trim, right	560 no vent	1	13.31	19	ALH1803	Floor mat, front		1	95.59
	ALH2756	Strainer trim, right	560 w/vent	1	13.31	20	ALH1804	rear		1	43.87
9	811 1347	Strainer trim, left	540	1	13.92	21	ALH1806	right side		1	6.66
	811 2196	Strainer trim, left	560 no vent	1	13.31	22	ALH1807	left side		1	6.66
	ALH2757	Strainer trim, left	560 w/vent	1	13.31	23	ALH2700	trunk		1	44.17
10	811 1350	Wheelhouse cover, right	540	1	57.48	24	ALH1803A	Carpet set	front & rear	1	272.25
	811 2213	Wheelhouse cover, right	560 no vent	1	54.45		ALH1538	Door seal		2	12.05
	ALH2768	Wheelhouse cover, right	560 w/vent	1	54.45		122-8008	Super Weatherstrip Adhesive, 5 oz (black)		1	20.27
						25	811 1333	Stormstrip, beige	540	4	16.04
							439 1230	gray	560 no vent	4	16.04
							ALH2789	black	560 w/vent	4	16.04



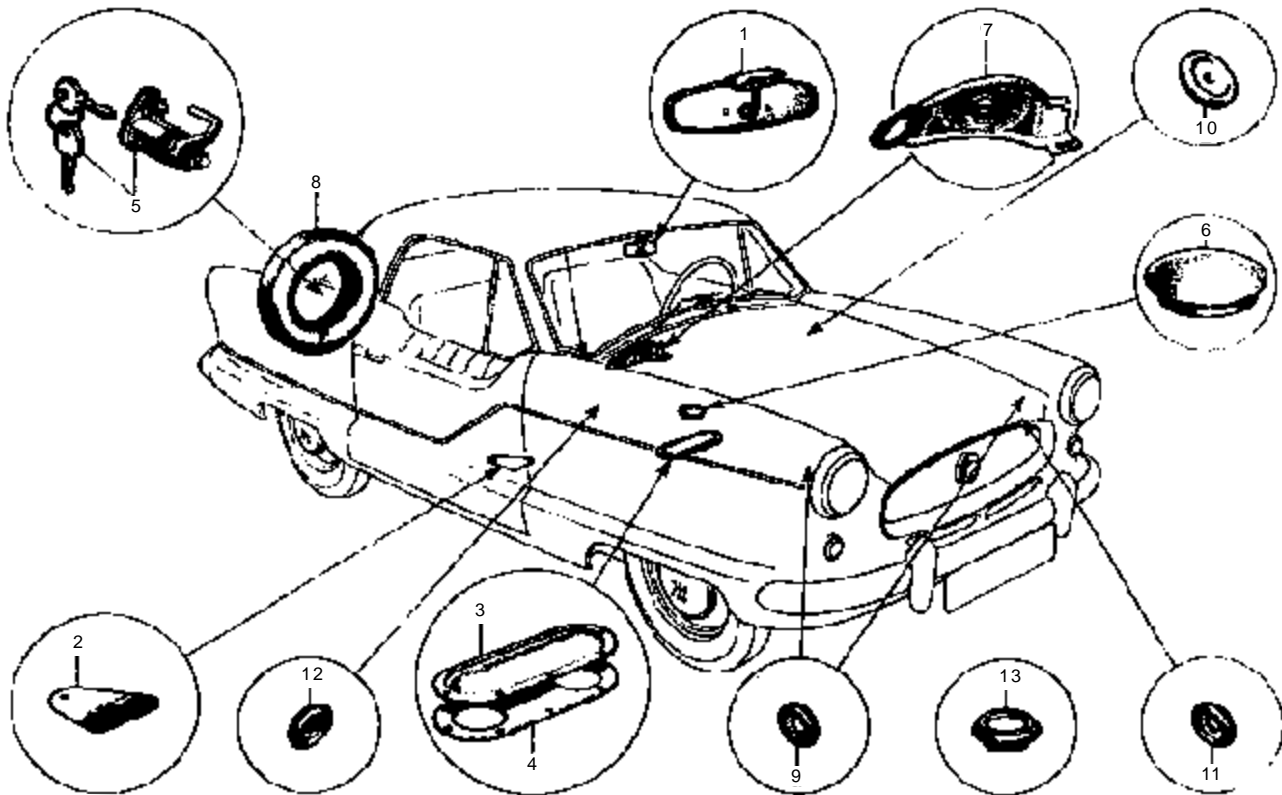
No	Part #	Description	Application	Qty Req	Price Each
	811 UK1	Upholstery kit	540	1	586.85
	811 UK2	Upholstery kit	560 no vent	1	526.35
	811 UK3	Upholstery kit	560 w/vent	1	526.35
NOTE: Upholstery kits contain front seat backs, front seat bottom, rear seat back, rear seat cushion & wheelhouse covers.					
1	811 0724	Bottom frame (U)	1 3/8" rise	1	42.35
	ALH2611	Bottom frame (U)	1 7/8" rise	1	42.35
2	811 0726	Right frame (U)	1 3/8" rise	1	22.99
	ALH2612	Right frame (U)	1 7/8" rise	1	22.99
	811 0725	Left frame (U)	1 3/8" rise	1	22.99
	ALH2613	Left frame (U)	1 7/8" rise	1	22.99
3	811 0672	Seat spring, bottom (U)	1 3/8" rise	1	75.02
	ALH2621	Seat spring, bottom (U)	1 7/8" rise	1	75.02
4	ALH1679	Padding		1	65.34
5	811 1354	Upholstery, bottom	540	1	180.29
	811 2206	Upholstery, bottom	560 no vent	1	164.56
	ALH2704	Upholstery, bottom	560 w/vent	1	164.56
6	811 0669	Seat spring, right (U)	1 3/8" rise	1	25.41
	ALH2618	Seat spring, right (U)	1 7/8" rise	1	25.41
	811 0668	Seat spring, left (U)	1 3/8" rise	1	25.41
	ALH2619	Seat spring, left (U)	1 7/8" rise	1	25.41
7	ALH2662	Padding, right or left		2	39.93
8	811 1353	Upholstery, right	540	1	125.84
	811 2205	Upholstery, right	560 no vent	1	107.69
	ALH2712	Upholstery, right	560 w/vent	1	107.69
	811 1352	Upholstery, left	540	1	125.84
	811 2204	Upholstery, left	560 no vent	1	107.69
	ALH2713	Upholstery, left	560 w/vent	1	107.69

No	Part #	Description	Application	Qty Req	Price Each
9	811 0666	Slide, right (U)	1 3/8" rise	1	114.95
	ALH2656	Slide, right (U)	1 7/8" rise	1	114.95
	811 0665	Slide, left (U)	1 3/8" rise	1	114.95
	ALH2657	Slide, left (U)	1 7/8" rise	1	114.95
10	ALG573	Seating washer (U)		8	6.36
11	ALH1671	Pin		2	48.35
12	811 1355	Rear cushion	540	1	125.84
	811 2208	Rear cushion	560 no vent	1	111.32
	ALH2724	Rear cushion	560 w/vent	1	111.32
13	ALH2616	Wood frame		1	88.33
14	ALH1728	Padding		1	19.36
15	811 1357	Upholstery	540	1	90.75
	811 2210	Upholstery	560 no vent	1	81.07
	ALH2733	Upholstery	560 w/vent	1	81.07
16	811 2334	Lock w/key		1	29.95
17	ALH1732	Strainer seal		2	3.94

High quality interior kits are manufactured by KMC with the correct stitching and materials for that original factory look and fit.

UPHOLSTERY SUPPLIES - Pig rings are used to attach the upholstery to the seat frame and are installed using special 'hog ring' pliers.

TL-HRP	Hog ring pliers	1	28.44
FN-PR	Pig rings, box	1	8.29
SB-CB-B	Seat belt, black w/chrome buckle 2		72.30



No	Part #	Description	Application	Qty Req	Price Each
1	ALH1503	Rear view mirror		1	94.38
	651DM	Side mirror, door mounting		A/R	66.86
	651LH	Side mirror, fender mounting - LH		A/R	33.28
	651RH	Side mirror, fender mounting - RH		A/R	33.28
2	14A9423	Handbrake hole cover		1	18.15
3	14A9436	Master cylinder cover		1	28.00
	14A9446	Gasket		1	11.80
5	3H2937	Spare wheel lock w/key (U)		1	151.25
6	14A9441	Plug, filler hole		1	22.09
7	ALH866	Gearshift bracket		1	NCA
8	811 2278	Tire cover, white		1	78.65
	ALH2776	black		1	78.65
9	RFN306	Grommet, headlamp wire		2	6.00
10	2H866	main harness/dash		1	13.01
11	RFN405	horn wire		1	5.27
12	RFN403	small		A/R	5.27
13	CFP1000	Floor plug		6	3.45
	811 1366	Insulation panel, under dash/firewall		1	

70.18

RADIO

811 1206	RADIO (x195)	1	453.75
811 1207	Antenna	1	24.15
811 RKS	Knob set	1	91.06
811 RK1	left inner		22.99
811 RK2	left outer		15.73
811 RK3	right inner		25.41
811 RK4	right outer		15.73
811 RK5	dial indicator		13.31
811 RK6	pointer		10.89
811 RSM	Service manual		7.26

ID Plates, Decals, Patches & Fuzzy Dice

811 1406	Chassis serial # plate	1	43.56
811 1407	Body # plate	1	47.80
CP343	Engine # plate	1	6.96
CP350	Patent plate, valve cover	1	9.38
CP302	'SMITHS' heater plate	1	6.48
ST122	'LUCAS' wiring ties, set of 5 for wiring harness	A/R	6.00
ST156	'LUCAS Coil' decal	1	5.15
811 MP1	'M' embroidered patch (3" grille emblem replica)		4.24
811 MP2	'Nash' embroidered patch (3" grille emblem replica)		4.24
811 FZD	Fuzzy dice (2 1/2" white, black, red or green)		5.15
KF-UJ	Key fob w/british flag		19.67

No	Part #	Description	Application	Qty Req	Price Each
----	--------	-------------	-------------	---------	------------

BOOKS & MANUALS

F-16059	Factory Parts catalog	U.S. version			36.00
811 TSM1	Technical Service Manual	U.S. version			35.04
AKD1305	Met 1500 Service Manual	U.K. version			38.67
811 MOM1	Owners Manual	540			21.95
811 MOM2	Owners Manual	560 no vent			21.95
811 MOM3	Owners Manual	560 w/vent			21.95
811 SL1	Sales Literature "1500" (4 color reprint)				14.99

PAINT

811 CCM	Paint chip chart (shows all original colors)				43.56
811 EP1	Engine paint	aerosol			27.23
811 P903	Spruce Green	540			
811 P904	Canyon Red	540			
811 P905	Caribbean Blue	0			
811 P906	Croton Green	540			
811 P907	Mist Gray	540			
811 P908	Black	E45547-			
811 P909	Snowberry White	E21008-E35809			
811 P910	Sunburst Yellow	E21008-E45546			
811 P911	Coral Red	E21008-EE35809			
811 P912	Berkshire Green	E23545-			
811 P913	Mardi Gras Red	E23545-			
811 P914	Frost White	E35810-			
811 P915	Autumn Yellow	E45547-			

NOTE: Paint can be provided in any quantity or type of paint preferred; lacquer, enamel, urethane, polyurethane, etc. Price varies by quantity, color, and type of paint selected.

TOOLS - British Standard Whitworth (for early 1200 engines & misc fittings)

BSW-CW	Combination wrench set - 7 pieces				240.79
	(1/8, 3/16, 1/4, 5/16, 3/8, 7/16, 1/2)				
BSW-OW	Open end wrench set - 4 pieces				119.79
	(1/8 x 3/16, 1/4 x 5/16, 3/8 x 7/16, 1/2 x 9/16)				
BSW-BW	Box wrench set - 3 pieces				107.69
	(1/8 x 3/16, 1/4 x 5/16, 3/8 x 7/16)				
BSW-S1	Socket set, 3/8 drive - 7 pieces				175.45
	(1/8, 3/16, 1/4, 5/16, 3/8, 7/16, 1/2)				
BSW-S2	Socket set, 1/2 drive - 5 pieces				127.05
	(1/4, 5/16, 3/8, 7/16, 1/2)				
BSW/1	Tap & die set, British Standard Whitworth				344.85
	(24 pieces, 1/8 - 1/2)				
BSF/1	Tap & die set, British Standard Fine				344.85
	(21 pieces, 3/16 - 1/2)				

FIRST CLASS MAIL



2127 Crown Road
Dallas, Texas 75229

One Click Does It All!

Secure, ONLINE SHOPPING from
the largest and most comprehensive
supplier of Metropolitan New-Old-
Stock (NOS), rebuilt and authentic
reproduction parts - interior, exterior,
mechanical, rubber, electrical, trim,
and more at:

www.kipmotor.com